



## MODEL 2588 DRILLER VALVE

*Kobelt's* success in the oil industry is based on its commitment to providing equipment built to withstand the harshest of working conditions. The strength and workmanship of *Kobelt* drilling valves prove to be no exception.

*Kobelt Manufacturing* produces a variety of different valves for all pneumatic functions.

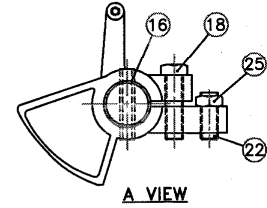
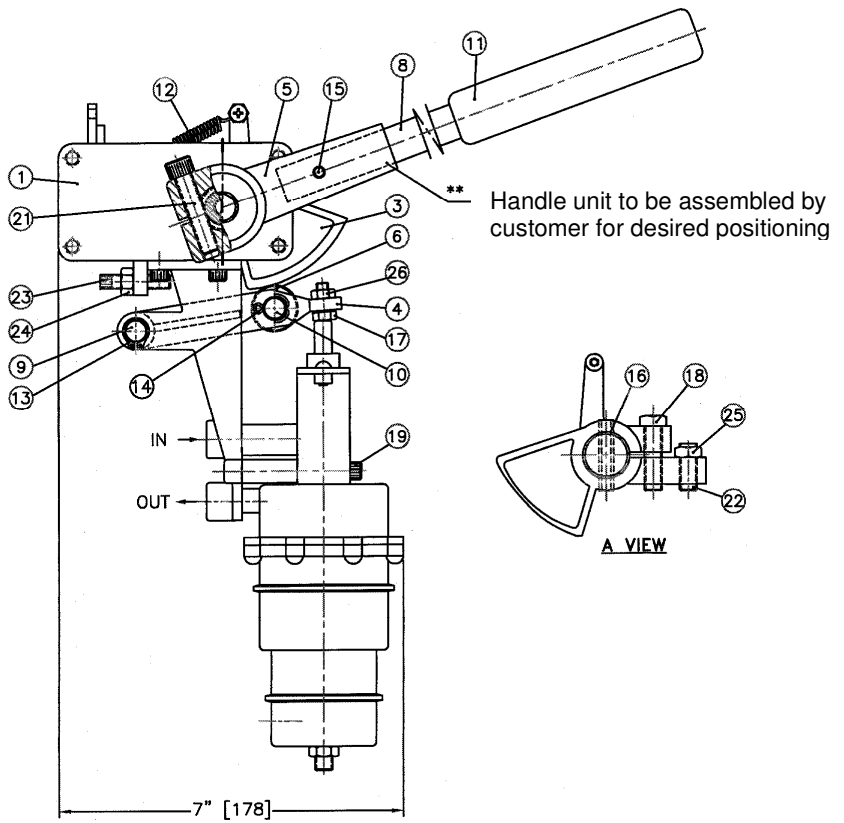
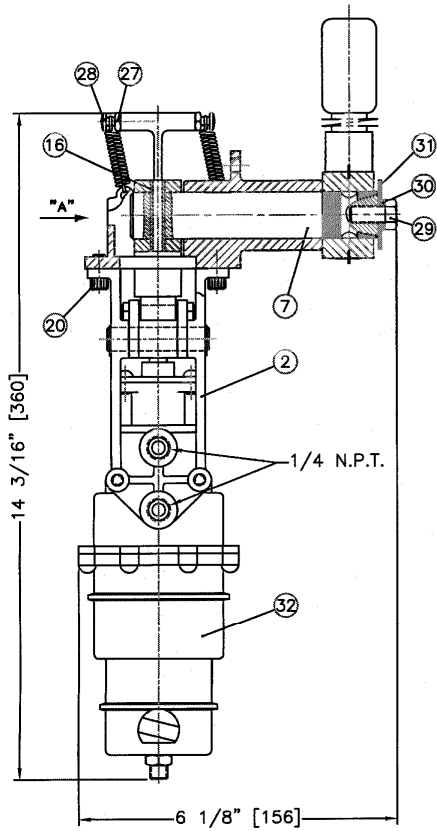
The Driller Valve Model 2588 is constructed entirely in durable bronze and stainless steel, suited for land and offshore applications, even the corrosive salt water environments. It is available in various pressure ratings, but is usually recommended at 0 to 100-120 psi maximum.

Weight: 15 lb. approx.

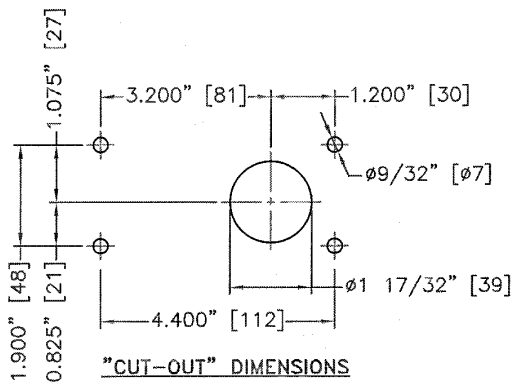
The cam on the brake valve is removable and can be modified to provide special pressure profiles. Some operators prefer to have a gradual pressure increase on the low end, especially working with a light rig load and a more rapid pressure increase for heavier loads. The Driller Valve is extremely responsive to its handle movement and can be graduated within 1 psi in pressure change. This is extremely important as good feel and response is a must.

It is important, however, to remember that 2588 model cannot be plumbed into the brake directly. A pressure compensated relay valve such as Model 3329 is required to increase the flow to the brake itself.

# MODEL 2588



All dimensions in inches (mm)



ITEM	QTY	PART NO.	DESCRIPTION
1	1	2588-0001	Main Body
2	1	2588-0002	Lower Body
3	1	2588-0003	Cam
4	1	2588-0004	Lever
5	1	2588-0005	Handle
6	1	2588-0006	Roller
7	1	2588-0013	Handle Shaft
8	1	2588-0014	Handle Bar
9	1	2588-0009	Roller Arm Pin
10	1	2588-0010	Roller Pin
11	1	2588-0112	Handle Grip
12	2	1202-0010N	Spring
13	2	1029-1050	Snap Ring
14	2	1026-0516	Cotter Pin
15	1	1024-1016	Spring Pin
16	1	1024-1124	Spring Pin
17	1	1001-1112	Hex Hd Cap Screw
18	1	1001-1220	Hex Hd Cap Screw
19	2	1002-1036	Socket Hd Cap Screw
20	4	1002-1008	Socket Hd Cap Screw
21	1	1002-1228	Hex Hd Cap Screw
22	1	1016-1216	Set Screw
23	1	1016-1124	Set Screw
24	1	1022-0111	Reg. Hex Nut
25	1	1022-0212	Reg. Hex Nut
26	1	1022-0211	Jam Nut
27	2	1022-0108	Hex Nut
28	2	1012-0812	Pan Hd Phillips Screw
29	1	1001-1212	Hex Hd Cap Screw
30	1	1023-0312	Lock Washer
31	1	1023-0245	Flat Washer
32	1	3230-R	Regulating Valve