

5019-SA

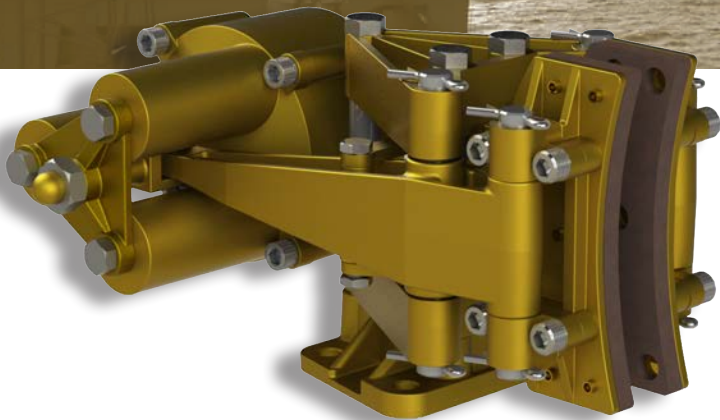
SPRING APPLIED AIR RELEASED CALIPER DISC BRAKE

KEY BENEFITS

Bronze & stainless steel construction

Easily changed brake pads

Well matched to Kobelt's standard range of ¾" ventilated discs



Putting you in control.

For over three decades, Kobelt has been manufacturing rugged, durable disc brakes for the oil and gas, mining, material handling and manufacturing industries. Constructed of bronze and stainless steel, Kobelt's disc brakes are built to last in the harshest conditions.

Available with several options, these caliper disc brakes are well suited for parking or emergency braking duty on draw works, hoists, winches and more.

SPECIFICATIONS

PART NO.	NORMAL FORCE ¹	PRESSURES	
		RELEASE	HOLD-OFF
5019-SA	2710 lbs [12.1 kN]	123 psi [8.5 bar]	106 psi [7.3 bar]
5019-SA100	2140 lbs [9.5 kN]	98 psi [6.8 bar]	83 psi [5.7 bar]
5019-SA80	1700 lbs [7.6 kN]	79 psi [5.4 bar]	65 psi [4.5 bar]
5019-SA70	1460 lbs [6.5 kN]	71 psi [4.9 bar]	56 psi [3.9 bar]
5019-SA60	1140 lbs [5.1 kN]	56 psi [3.9 bar]	43 psi [3.0 bar]

Maximum Pressure: 250 psi [17.2 bar]

Port Size: ¼ NPT

Actuator Volume: 14.7 in³ [241 cc]

Temperature Range: -40°F...+120°F
-40°C...+49°C

Disc Thickness: ¾ in [19 mm]

Max Running Clearance: .06 in [1.5 mm]

Minimum Disc Diameter: 9 in [229 mm]

Maximum Disc Diameter: unlimited²

Weight: 17 lbs [7.7 kg]

¹Torque:

$$T_B = 2F_N\mu \left(\frac{OD-2.36}{24} \right)$$

Where:

T_B = brake torque (ft-lbf)

F_N = normal force (lbf)

μ = coefficient of friction

= 0.35 (nonferrous disc)

= 0.38 (steel disc)

= 0.41 (cast iron disc)

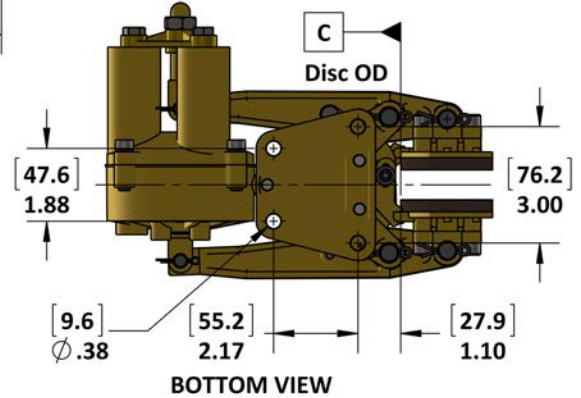
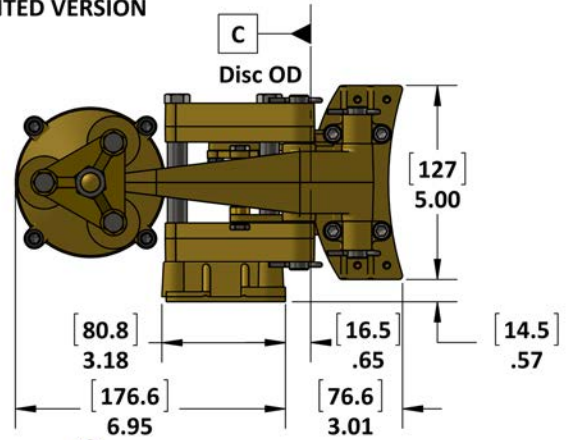
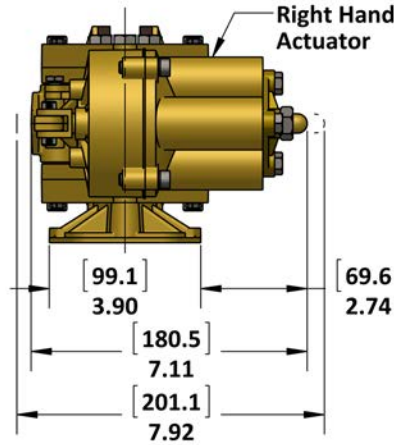
OD = brake disc diameter (in)

Friction values are theoretical and for reference only. They are based on properly bedded and burnished linings acting on a rotor at 20°C, manufactured to required specifications.

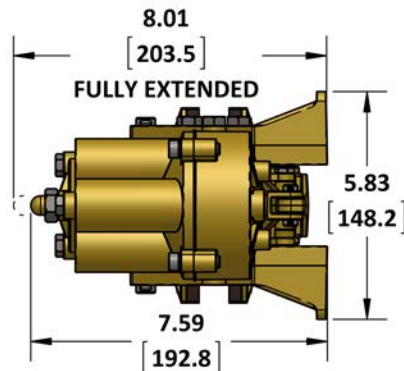
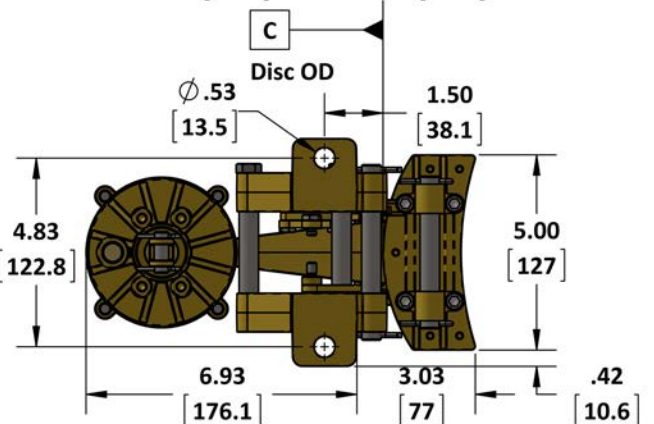
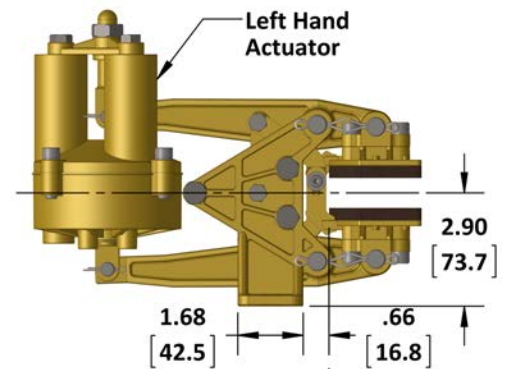
²Requires a minimum 2.38 in [60 mm] wide face

SPECIFICATIONS

FOOT MOUNTED VERSION



SIDE MOUNTED VERSION



Brake Model Code Key

5019- [] - [] - [] - [] - []

Added options

- R = manual release
- LS = limit switch

Friction material

- (blank) = standard
- N = non-sparking
- C = low COF (.12-.15)
- E = mid COF (.25-.28)

Disc thickness

- (blank) = 0.750 in
- 063 = 0.625 in
- 050 = 0.500 in
- 038 = 0.375 in

Actuator handing

- LH = springs on left hand side
- RH = springs on right hand side

Mounting code

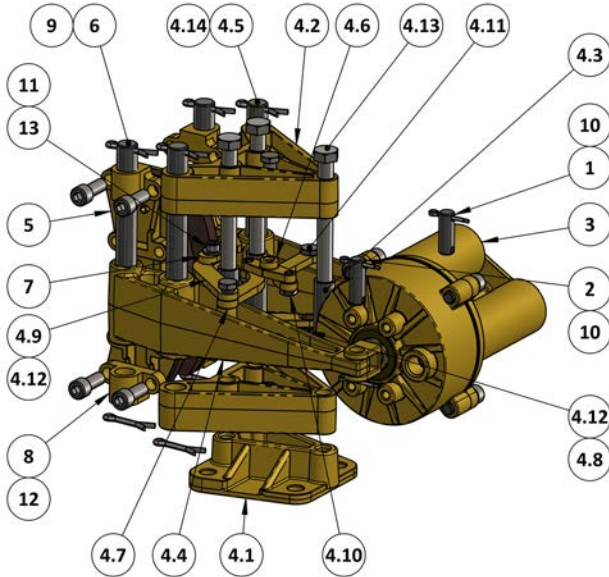
- (blank) = foot mounted
- W = side mounted

Actuator code

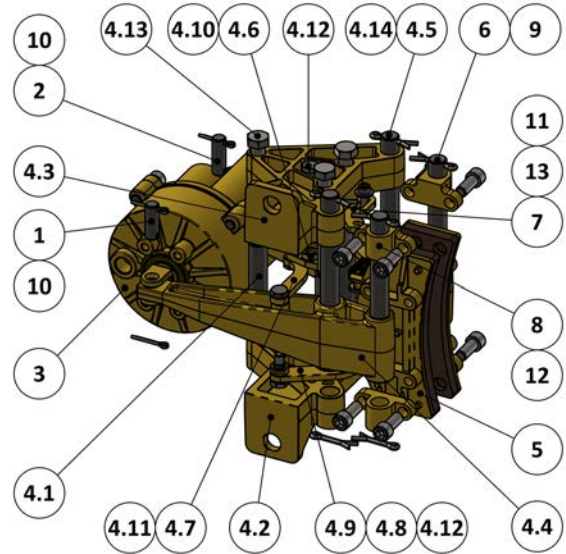
- SA = 123 psi release
- SA100 = 98 psi release
- SA80 = 79 psi release
- SA70 = 71 psi release
- SA60 = 56 psi release

PARTS LISTING

5019-SA Caliper Brake



5019-SAW Caliper Brake

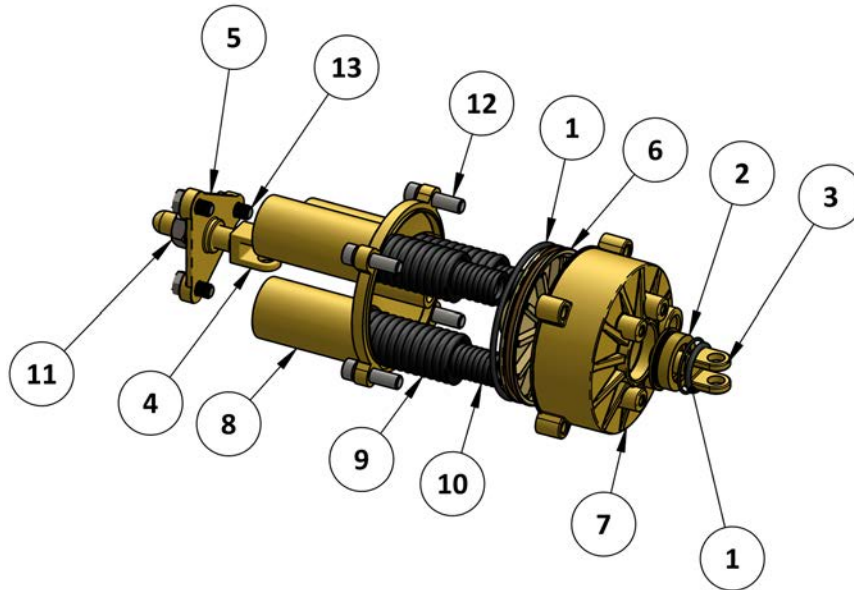


ITEM	QTY.	PART NUMBER	5019-SA DESCRIPTION
1	1	6207-0010-S	PIN, SHORT, 6207 ACTUATOR
2	1	6207-0010-L	PIN, LONG, 6207 ACTUATOR
3	1	6207	SPRING APPLIED ACTUATOR, 6207
4	1	5019-SUB	SUB ASSEMBLY, 5019 CALIPER
4.1	1	5019-0001	BASE, 5019 CALIPER
4.2	2	5019-0002	SADDLE, 5019 CALIPER
4.3	3	5019-0003	SPACER, 5019 CALIPER
4.4	2	5019-0004	MACHINE, LEVER, 5019 CALIPER
4.5	2	5019-0022	SADDLE PIN, 5019 CALIPER
4.6	1	5019-0019	CENTER PIVOT LINK, 5019 CALIPER
4.7	2	5019-0010	CONNECTING LINK, 5019 CALIPER
4.8	1	5019-0027	SPACER, 5019 CALIPER
4.9	2	5019-0011	BALANCE LINK NO. 1, 5019 CALIPER
4.10	2	5019-0026	SHOULDER BOLT, 5019 CALIPER
4.11	1	5019-0025	SHOULDER BOLT, 5019 CALIPER
4.12	3	5019-0024	SHOULDER BOLT, 5019 CALIPER
4.13	3	1001-1280	BOLT, HX HD, 3/8-16 UNC X 5, 18-8
4.14	4	1026-0516	COTTER PIN, 1/8" X 1"
5	2	5019-LS	SHOE ASSEMBLY, 5019 CALIPER, 5/16" K5
6	2	5019-0021	SHOE PIN, 5019 CALIPER
7	2	5019-0012	BALANCE LINK NO. 2, 5019 CALIPER
8	4	5019-0006	PIVOT BLOCK, 5019 CALIPER
9	4	1026-0516	COTTER PIN, 1/8" X 1"
10	4	1026-0312	COTTER PIN, 3/32" X 3/4", S/S
11	2	1023-0108	WASHER, FLAT, #10, TYPE A, SS
12	8	1002-1112	SCREW, SKT HD CAP, 5/16-18 UNC X 3/4 LG, 18-8
13	2	1002-0808	SCREW, SKT HD CAP, #10-24 UNC x 1/2 LG, SS

ITEM	QTY.	PART NUMBER	5019-SAW DESCRIPTION
1	1	6207-0010-S	PIN, SHORT, 6207 ACTUATOR
2	1	6207-0010-L	PIN, LONG, 6207 ACTUATOR
3	1	6207	SPRING APPLIED ACTUATOR, 6207
4	1	5019-SUB-W	SUB ASSEMBLY, 5019-W CALIPER
4.1	3	5019-0003	SPACER, 5019 CALIPER
4.2	1	5019-0102-R	SADDLE, SIDE MOUNT, RIGHT, 5019 CALIPER
4.3	1	5019-0102-L	SADDLE, SIDE MOUNT, LEFT, 5019 CALIPER
4.4	2	5019-0004	LEVER, 5019 CALIPER
4.5	2	5019-0022	SADDLE PIN, 5019 CALIPER
4.6	1	5019-0019	CENTER PIVOT LINK, 5019 CALIPER
4.7	2	5019-0010	CONNECTING LINK, 5019 CALIPER
4.8	1	5019-0027	SPACER, 5019 CALIPER
4.9	2	5019-0011	BALANCE LINK NO. 1, 5019 CALIPER
4.10	2	5019-0026	SHOULDER BOLT, 5019 CALIPER
4.11	1	5019-0025	SHOULDER BOLT, 5019 CALIPER
4.12	3	5019-0024	SHOULDER BOLT, 5019 CALIPER
4.13	3	1001-1280	BOLT, HX HD, 3/8-16 UNC X 5, 18-8
4.14	4	1026-0516	COTTER PIN, 1/8" X 1", SS
5	2	5019-LS	SHOE ASSEMBLY, 5019 CALIPER, 5/16" K5
6	2	5019-0021	SHOE PIN, 5019 CALIPER
7	2	5019-0012	BALANCE LINK NO. 2, 5019 CALIPER
8	4	5019-0006	PIVOT BLOCK, 5019 CALIPER
9	4	1026-0516	COTTER PIN, 1/8" X 1", SS
10	4	1026-0312	COTTER PIN, 3/32" X 3/4", SS
11	2	1023-0108	WASHER, FLAT, #10, TYPE A, SS
12	8	1002-1112	SCREW, SKT HD CAP, 5/16-18 UNC X 3/4 LG, 18-8
13	2	1002-0808	SCREW, SKT HD CAP, #10-24 UNC x 1/2 LG, SS

PARTS LISTING

6207 Actuator



ITEM	QTY.	PART NUMBER	DESCRIPTION
1	1	6207-RK	REPAIR KIT, 6207 ACTUATOR
2	1	6207-PHB	BUSHING, 6207 ACTUATOR
3	1	6207-0005S	CLEVIS, 3/8 DIAM, 1/2 UNC, SHORT
4	1	6207-0005L	CLEVIS, 3/8 DIAM, 1/2 UNC, LONG
5	1	6207-0004	MOUNTING BRACKET, 6207 ACTUATOR
6	1	6207-0003	PISTON, 6207 ACTUATOR
7	1	6207-0002	PISTON HOUSING, 6207 ACTUATOR
8	1	6207-0001	SPRING HOUSING, 6207 ACTUATOR
9	3	1201-0152	SPRING, COMPRESSION, 1.125 OD X .177 WIRE X 5 L
10	3	1201-0151	SPRING, COMPRESSION, .75 OD X .125 WIRE X 5 L
11	1	1022-0214	NUT, JAM, 1/2-13 UNC, SS
12	4	1002-1116	SCREW, SKT HD, 5/16-18 UNC X 1, SS
13	3	1001-1110	CAP SCREW, HEX HD, 5/16-18 X 5/8, SS

Note: Parts lists are applicable to standard models only.