

5022-H | HYDRAULIC APPLIED CALIPER DISC BRAKE

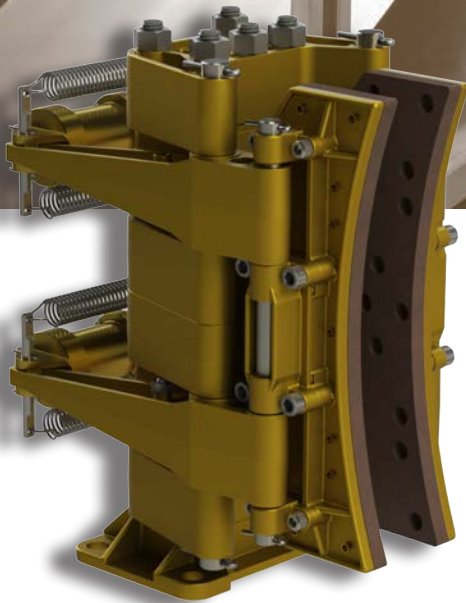


KEY BENEFITS

Bronze & stainless steel construction

Easily changed brake pads

Well matched to Kobelt's standard range of 2" ventilated discs



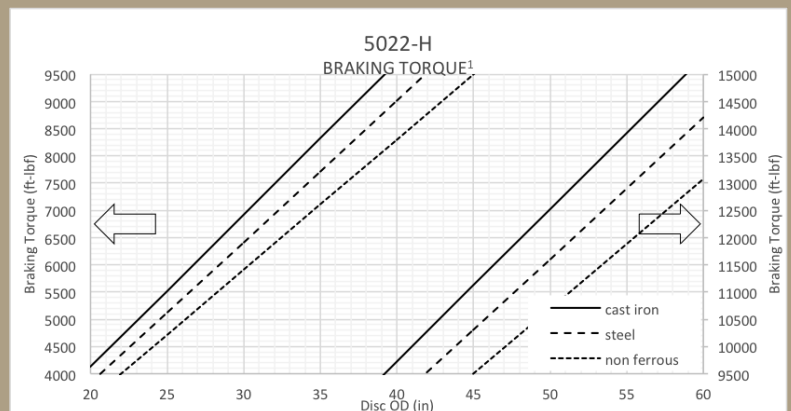
Putting you in control.

For over three decades, Kobelt has been manufacturing rugged, durable disc brakes for the oil & gas, mining, material handling and manufacturing industries. Constructed of bronze and stainless steel, Kobelt's disc brakes are built to last in the harshest conditions.

Available with several options, these caliper disc brakes are well suited for service braking applications on uncoilers, work boats and more.

SPECIFICATIONS

Normal Force:	0...8190 lbs	[36.4 KN]
Maximum Pressure:	1000 psi	[69 bar]
Port Size:	-4 NPT	
Actuator Volume:	1.2 in ³	[20 cc]
Temperature Range:	-40°F...+120°F -40°C...+49°C	
Disc Thickness:	2 in	[51 mm]
Minimum Disc Diameter:	20 in	[508 mm]
Maximum Disc Diameter ² :	60 in	[1524 mm]
Pad Life:	1638 hp-hr	[1222 kw-hr]
Weight:	81 lbs	[36.8 kg]

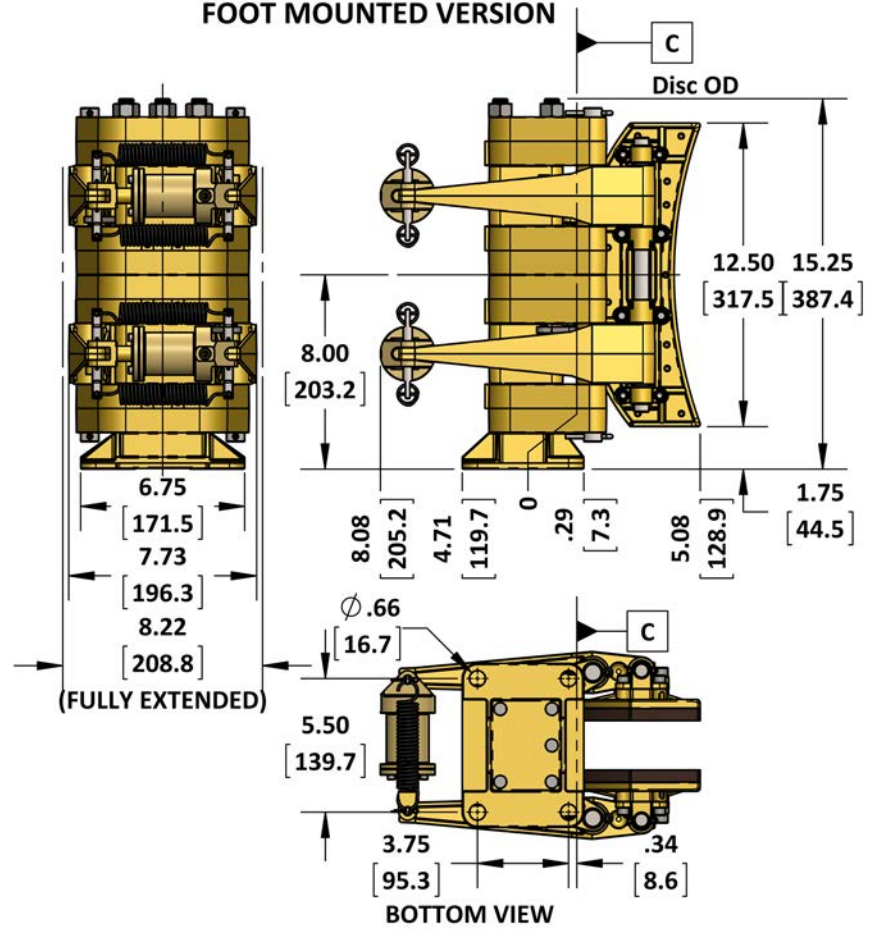


¹ Values in this chart are theoretical and for reference only. They are based on properly bedded and burnished linings acting on a rotor at 20°C and manufactured to required specifications.

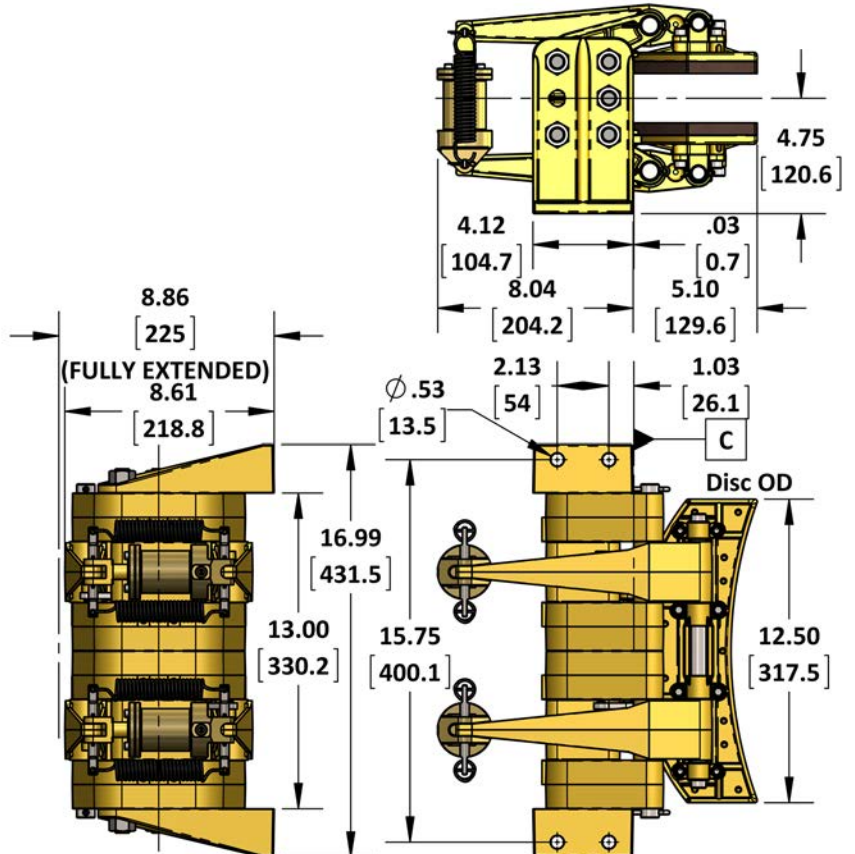
² Requires a minimum 4.34 in [110 mm] wide face.

SPECIFICATIONS

FOOT MOUNTED VERSION



SIDE MOUNTED VERSION



Brake Model Code Key

5022-H

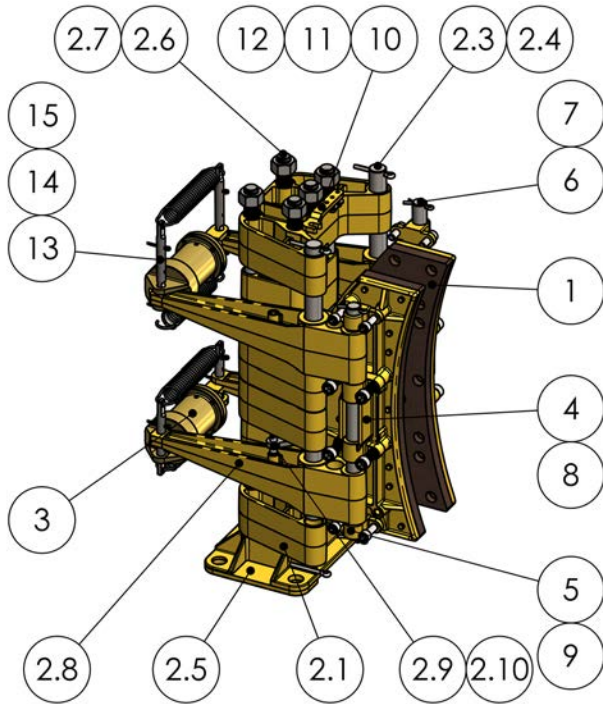
Friction material
 (blank) = standard
 N = non-sparking
 C = low COF (.12-.15)
 E = mid COF (.25-.28)

Disc thickness
 (blank) = 2.000 in
 175 = 1.750 in
 150 = 1.500 in
 125 = 1.250 in
 100 = 1.000 in

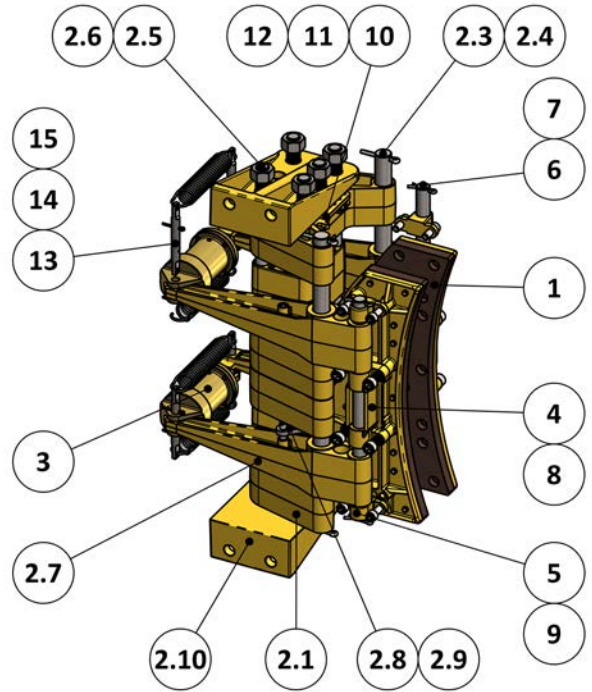
Mounting code
 (blank) = foot mounted
 W = side mounted

PARTS LISTING

5022-H Caliper Brake



5022-HW Caliper Brake

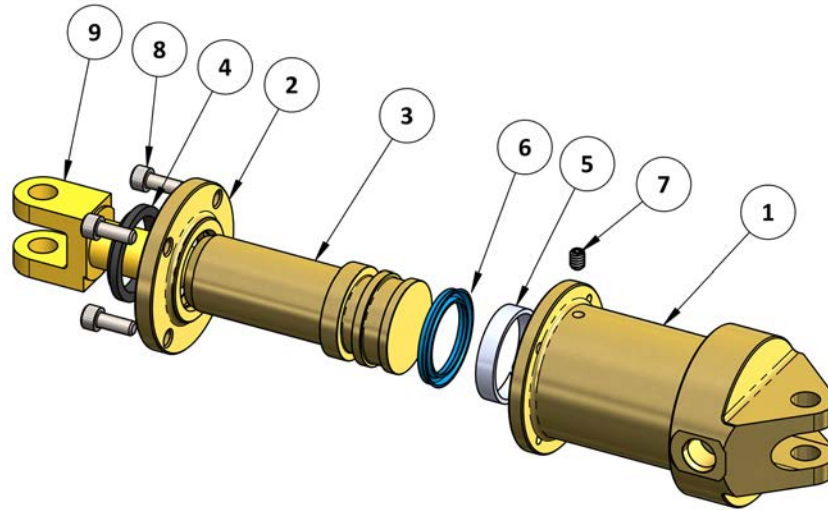


ITEM	QTY.	PART NUMBER	5022-H DESCRIPTION
1	2	5022-LS	SHOE ASSEMBLY, 5022 CALIPER, 1/2" K5
2	1	5022-SUB	SUB-ASSEMBLY, 5022 CALIPER
2.1	4	5021-0002	SADDLE, 5021 CALIPER
2.2	2	5021-0003	SPACER, 5021 CALIPER
2.3	2	5022-0022	SADDLE PIN, 5022 CALIPER
2.4	4	1026-0824	COTTER PIN, 3/16 X 1 1/2
2.5	1	5021-0001	FOOT, 5021 CALIPER
2.6	5	5022-0023	TIE ROD, 5022 CALIPER
2.7	5	1022-0116	REG HEX NUT 5/8-11 NC, GR 18-8
2.8	4	5021-0004	LEVER, 5021 CALIPER
2.9	2	5021-0011	BALANCING LINK, PART 1, 5021 CALIPER
2.10	2	5021-0226	LINK PIN, 5/16NC X 7/8 LG
3	2	6112-H	HYDRAULIC ACTUATOR, 1200 LBS
4	2	5022-0013	PIVOT BLOCK, CENTER, 5022 CALIPER
5	4	5022-0014	PIVOT BLOCK, OUTER, 5022 CALIPER
6	2	5022-0021	SHOE PIN, 5022 CALIPER
7	4	1026-0516	COTTER PIN, 1/8" X 1", SS
8	8	1002-1216	SCREW, SKT HD CAP, 3/8-16 UNC X 1, SS
9	8	1002-1112	SCREW, SKT HD CAP, 5/16-18 UNC X 3/4 LG, 18-8
10	2	5021-0012	BALANCE LINK NO. 2, 5021 CALIPER
11	4	1002-0808	SCREW, SKT HD CAP, #10-24 UNC x 1/2 LG, SS
12	4	1023-0108	WASHER, FLAT, #10, TYPE A, SS
13	4	6112-0107	CLEVIS PIN, 6112-H ACTUATOR
14	8	1026-0312	COTTER PIN, 3/32" X 3/4", SS
15	4	1202-0009	SPRING, EXTENSION, 0.83 OD X .080 WIRE, AISI 302, 14 TURNS

ITEM	QTY.	PART NUMBER	5022-HW DESCRIPTION
1	2	5022-LS	SHOE ASSEMBLY, 5022 CALIPER, 1/2" K5
2	1	5022-SUB-W	SUB-ASSEMBLY, 5022 CALIPER
2.1	4	5021-0002	SADDLE, 5021 CALIPER
2.2	2	5021-0003	SPACER, 5021 CALIPER
2.3	2	5022-0022	SADDLE PIN, 5022 CALIPER
2.4	4	1026-0824	COTTER PIN, 3/16 X 1 1/2
2.5	5	5022-0023	TIE ROD, 5022 CALIPER
2.6	10	1022-0116	REG HEX NUT 5/8-11 NC, GR 18-8
2.7	4	5021-0004	LEVER, 5021 CALIPER
2.8	2	5021-0011	BALANCING LINK, PART 1, 5021 CALIPER
2.9	2	5021-0226	LINK PIN, 5/16NC X 7/8 LG
2.10	2	5021-0101	SIDE MOUNT BRACKET, 5021 CALIPER
3	2	6112-H	HYDRAULIC ACTUATOR, 1200 LBS
4	2	5022-0013	PIVOT BLOCK, CENTER, 5022 CALIPER
5	4	5022-0014	PIVOT BLOCK, OUTER, 5022 CALIPER
6	2	5022-0021	SHOE PIN, 5022 CALIPER
7	4	1026-0516	COTTER PIN, 1/8" X 1", SS
8	8	1002-1216	SCREW, SKT HD CAP, 3/8-16 UNC X 1, SS
9	8	1002-1112	SCREW, SKT HD CAP, 5/16-18 UNC X 3/4 LG, 18-8
10	2	5021-0012	BALANCE LINK NO. 2, 5021 CALIPER
11	4	1002-0808	SCREW, SKT HD CAP, #10-24 UNC x 1/2 LG, SS
12	4	1023-0108	WASHER, FLAT, #10, TYPE A, SS
13	4	6112-0107	CLEVIS PIN, 6112-H ACTUATOR
14	8	1026-0312	COTTER PIN, 3/32" X 3/4", SS
15	4	1202-0009	SPRING, EXTENSION, 0.83 OD X .080 WIRE, AISI 302, 14 TURNS

PARTS LISTING

6112-H Actuator



ITEM	QTY.	PART NUMBER	6112-H DESCRIPTION
1	1	6112-0201	CYLINDER, 6112-H ACTUATOR
2	1	6112-0202	END CAP, 6112-H ACTUATOR
3	1	6112-0103	PISTON, 6112-H ACTUATOR
4	1	1102-6015	WIPER, AN, 1" ID
5	1	1102-9205	WEAR RING, 1.25" OD X .062" THK X 0.25" WIDE, NYLON
6	1	1102-2009-H	SEAL, PISTON, U-CUP, 1-1/4" X 1" X 1/8"
7	1	1016-0804	SET SCREW 10-24 X 1/4, SS
8	4	1002-0808	SCREW, SKT HD CAP, #10-24 UNC x 1/2 LG, SS
9	1	6212-0005S	CLEVIS, 6212 ACTUATOR, SHORT

Note: Parts lists are applicable to standard models only.