

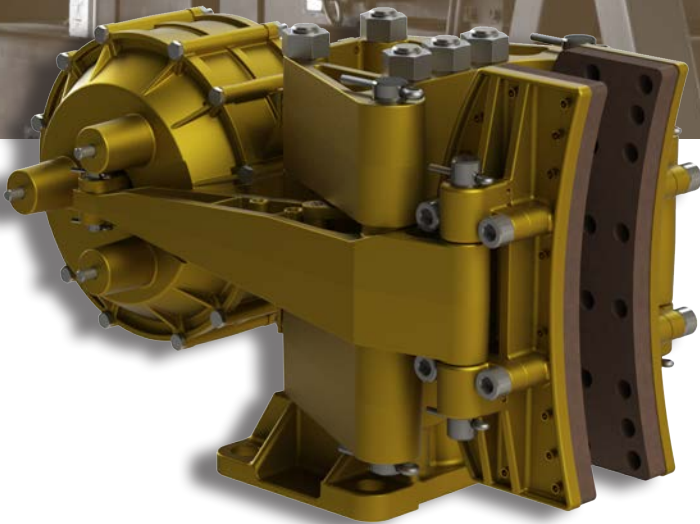
# 5024-A | AIR APPLIED CALIPER DISC BRAKE

## KEY BENEFITS

Bronze & stainless steel construction

Easily changed brake pads

Well matched to Kobelt's standard range of 2" ventilated discs



## Putting you in control.

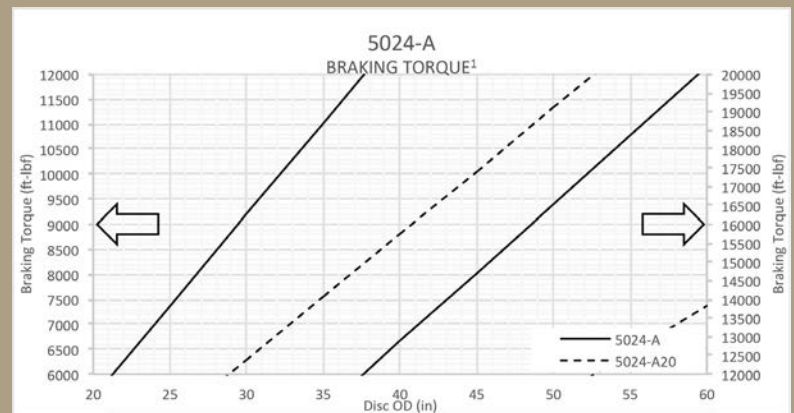
For over three decades, Kobelt has been manufacturing air applied disc brakes using a double diaphragm design for accurate tension control. Constructed of bronze and stainless steel, Kobelt's disc brakes are built to last in the harshest conditions.

Available with several options, these caliper disc brakes are well suited for service braking applications on uncoilers, work boats and more.

## SPECIFICATIONS

PART NO.	NORMAL FORCE	ACTUATOR VOLUME
5024-A	10,760 lbs [47.9 kN]	51 in <sup>3</sup> [839 cc]
5024-A20	7360 lbs [32.7 kN]	30 in <sup>3</sup> [491 cc]

Maximum Pressure:	100 psi	[6.9 bar]
Port Size:	¼ NPT	
Temperature Range:	-40°F...+131°F	
	-40°C...+55°C	
Disc Thickness:	2 in	[51 mm]
Minimum Disc Diameter:	20 in	[508 mm]
Maximum Disc Diameter <sup>2</sup> :	unlimited	
Pad Life:	1900 hp-hr	[1418 kw-hr]
Weight:	113 lbs	[51.3 kg]

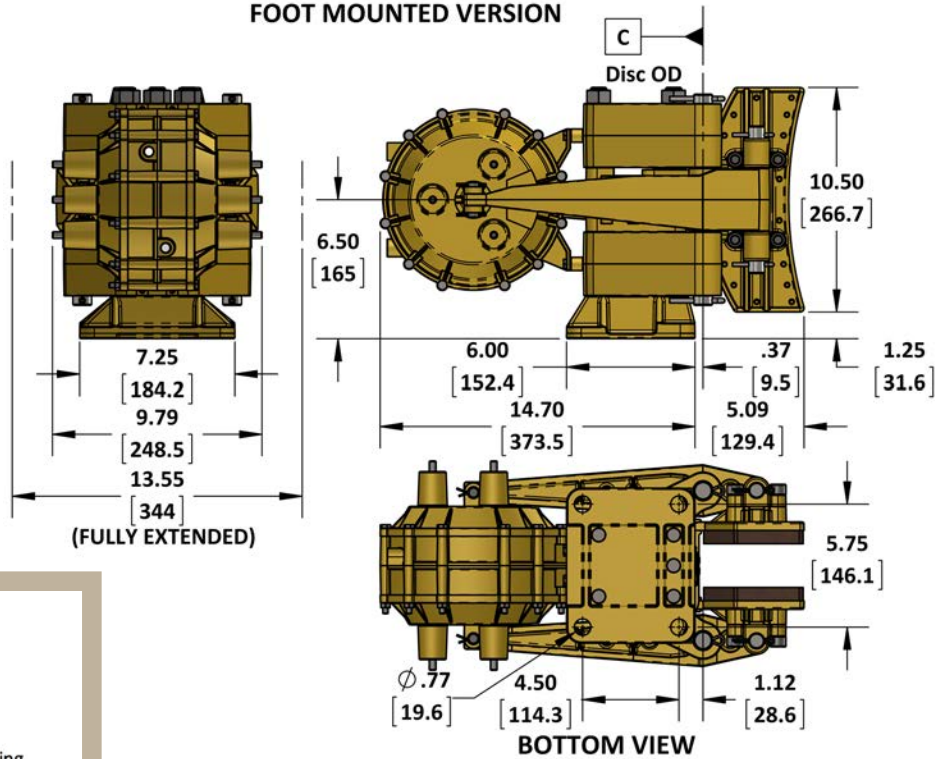


<sup>1</sup> Values in this chart are theoretical and for reference only. They are based on properly bedded and burnished linings acting on a rotor at 20°C and manufactured to required specifications.

<sup>2</sup> Requires a minimum 4.71 in [120 mm] wide face.

# SPECIFICATIONS

## FOOT MOUNTED VERSION



### Brake Model Code Key

5024-A [ ] - [ ] - [ ]

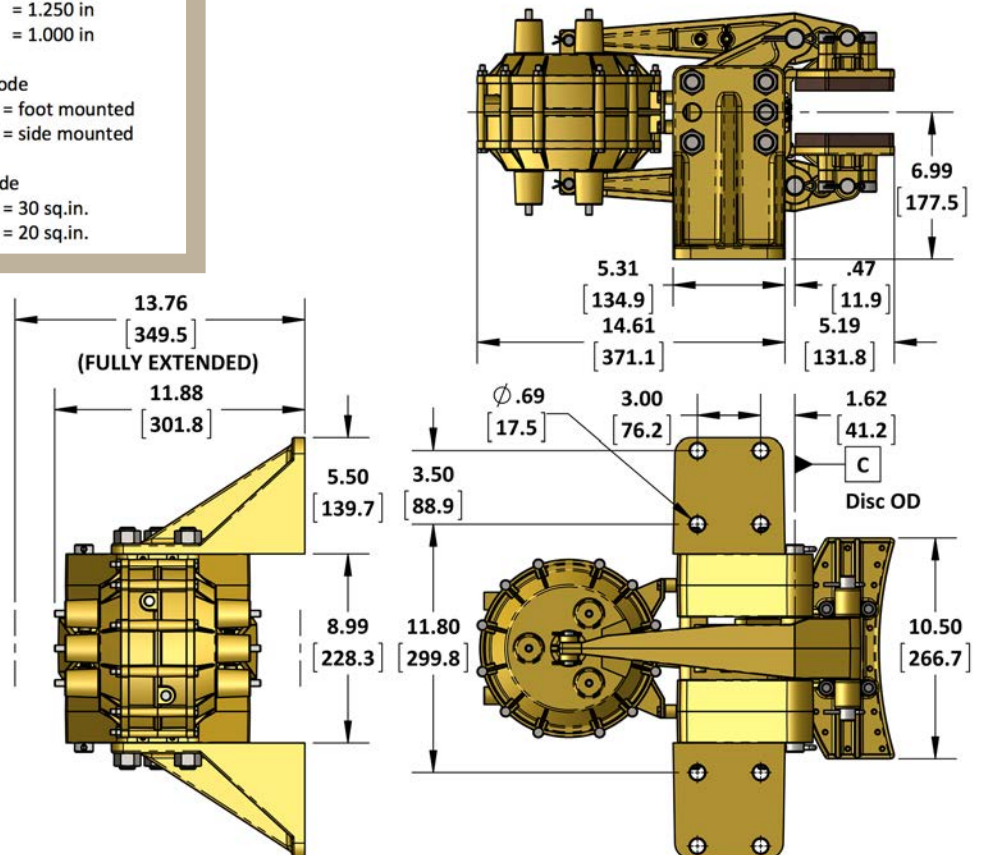
Friction material  
 (blank) = standard  
 N = non-sparking  
 C = low COF (.12-.15)  
 E = mid COF (.25-.28)

Disc thickness  
 (blank) = 2.000 in  
 175 = 1.750 in  
 150 = 1.500 in  
 125 = 1.250 in  
 100 = 1.000 in

Mounting code  
 (blank) = foot mounted  
 W = side mounted

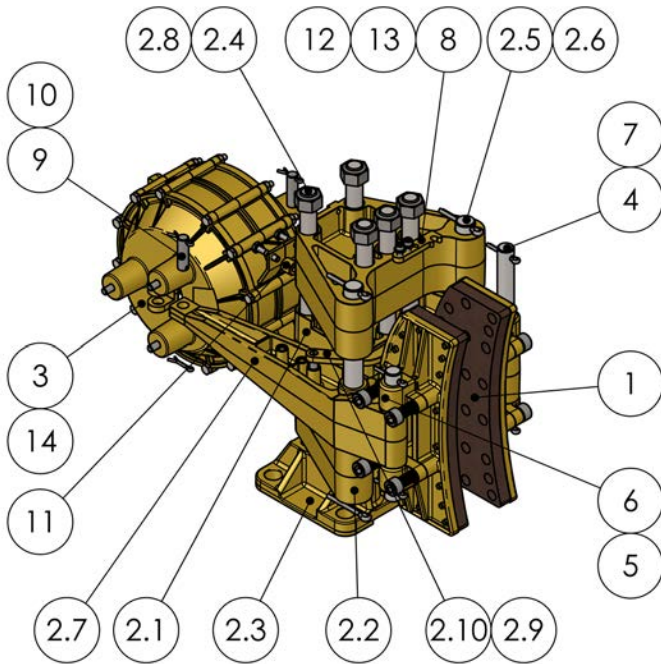
Actuator code  
 (blank) = 30 sq.in.  
 20 = 20 sq.in.

## SIDE MOUNTED VERSION

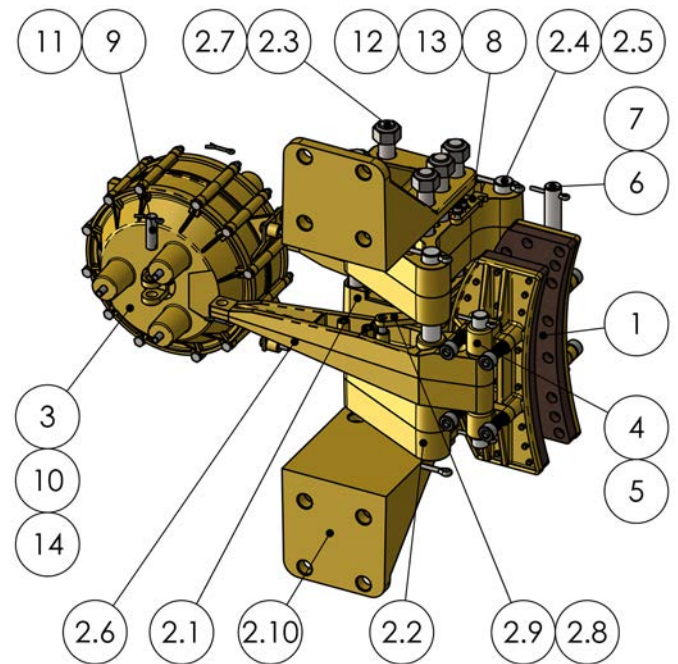


# PARTS LISTING

## 5024-A Caliper Brake



## 5024-AW Caliper Brake

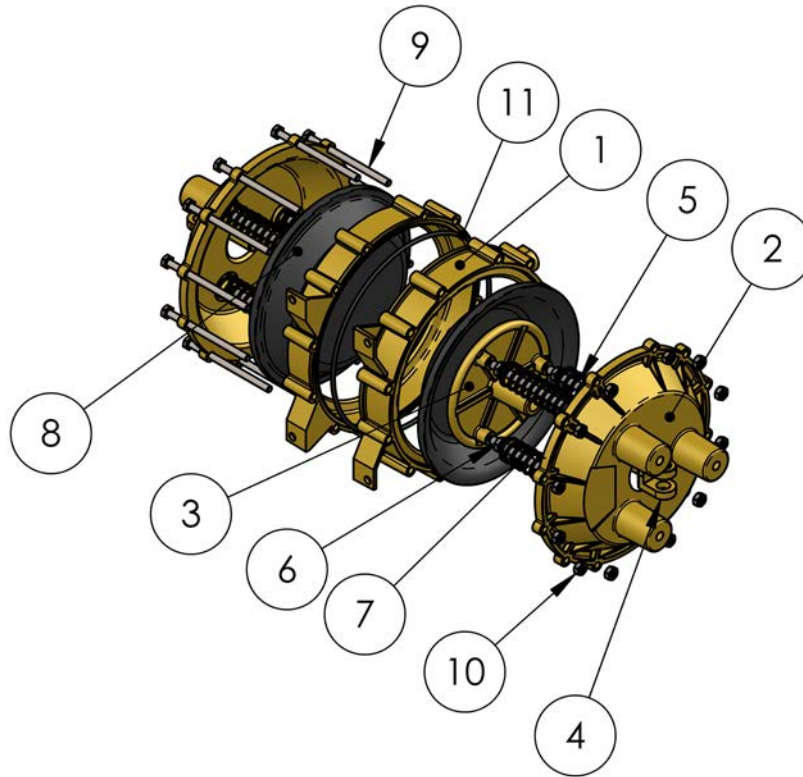


ITEM	QTY.	PART NUMBER	5024-A DESCRIPTION
1	2	5024-LS	SHOE ASSEMBLY, 5024 CALIPER, 5/8" K5
2	1	5024-SUB-A	SUB-ASSEMBLY, 5024 CALIPER
2.1	1	5024-0003	SPACER, 5024 CALIPER
2.2	2	5024-0002	SADDLE, 5024 CALIPER
2.3	1	5024-0001	FOOT, 5024 CALIPER
2.4	5	5024-0023	TIE ROD, 5024/25 CALIPERS
2.5	2	5024-0022	SADDLE PIN, 5024/25 CALIPERS
2.6	4	1026-1028	COTTER PIN, 1/4 X 1 3/4
2.7	2	5024-0004	LEVER, 5024 CALIPER
2.8	5	1022-0117	NUT, HEX, 3/4-10 UNC, Gr 18-8
2.9	2	5024-0026	LINK PIN, 5024 - 5026 CALIPERS
2.10	2	5024-0011	BALANCING LINK NO. 1, 5024 CALIPER
3	1	6130	AIR APPLIED ACTUATOR, 6130
4	2	5024-0021	SHOE PIN, 5024/25 CALIPERS
5	8	1002-1420	SCREW, SKT HD, 1/2-13 UNC X 1-1/4, SS
6	4	5024-0006	PIVOT BLOCK, 5024 CALIPER
7	4	1026-0824	COTTER PIN, 3/16 X 1 1/2
8	2	5024-0012	BALANCE LINK NO. 2, 5024 CALIPER
9	2	6230-0010	CLEVIS PIN, 1/2" DIA
10	4	1026-0516	COTTER PIN, 1/8" X 1", SS
11	4	6130-0008	SPACER, 6130 ACTUATOR
12	4	1023-0232	WASHER, FLAT, TYPE B NARROW, 1/4 in
13	4	1002-1010	SHCS, 1/4-20 UNC X 5/8 LG, 18-8 SS
14	4	1001-1020	SCREW, HEX HD, 1/4-20 X 1-1/4

ITEM	QTY.	PART NUMBER	5024-AW DESCRIPTION
1	2	5024-LS	SHOE ASSEMBLY, 5024 CALIPER, 5/8" K5
2	1	5024-SUB-AW	SUB-ASSEMBLY, 5024 CALIPER
2.1	1	5024-0003	SPACER, 5024 CALIPER
2.2	2	5024-0002	SADDLE, 5024 CALIPER
2.3	5	5024-0023	TIE ROD, 5024/25 CALIPERS
2.4	2	5024-0022	SADDLE PIN, 5024/25 CALIPERS
2.5	4	1026-1028	COTTER PIN, 1/4 X 1 3/4
2.6	2	5024-0004	LEVER, 5024 CALIPER
2.7	10	1022-0117	NUT, HEX, 3/4-10 UNC, Gr 18-8
2.8	2	5024-0026	LINK PIN, 5024 - 5026 CALIPERS
2.9	2	5024-0011	BALANCING LINK NO. 1, 5024 CALIPER
2.10	2	5027-0200	SIDE MOUNT FOOT, 5027 CALIPER
3	1	6130	AIR APPLIED ACTUATOR, 6130
4	4	5024-0006	PIVOT BLOCK, 5024 CALIPER
5	8	1002-1420	SCREW, SKT HD, 1/2-13 UNC X 1-1/4, SS
6	2	5024-0021	SHOE PIN, 5024/25 CALIPERS
7	4	1026-0824	COTTER PIN, 3/16 X 1 1/2
8	2	5024-0012	BALANCE LINK NO. 2, 5024 CALIPER
9	2	6230-0010	CLEVIS PIN, 1/2" DIA
10	4	6130-0008	SPACER, 6130 ACTUATOR
11	4	1026-0516	COTTER PIN, 1/8" X 1", SS
12	4	1023-0232	WASHER, FLAT, TYPE B NARROW, 1/4 in
13	4	1002-1010	SHCS, 1/4-20 UNC X 5/8 LG, 18-8 SS
14	4	1001-1020	SCREW, HEX HD, 1/4-20 X 1-1/4

# PARTS LISTING

## 6130 Actuator



ITEM	QTY.	PART NUMBER	6130 DESCRIPTION
1	2	6130-0002	CENTRE HOUSING, 6130 ACTUATOR
2	2	6130-0001	END CAP, 6130 ACTUATOR
3	2	6130-0003	DIAPHRAGM WASHER, 6130 ACTUATOR
4	2	6130-0005	CLEVIS, 6130 ACTUATOR
5	6	6130-0007	GUIDE PIN, 6130 ACTUATOR
6	6	1022-0211	NUT, JAM, 5/16-18 UNC, SS
7	6	1201-0162	SPRING, COMPRESSION, .830 OD X .080 WIRE X 4.43 L
8	2	1105-0030	DIAPHRAGM, NO. 30 SIZE
9	12	1001-1064	SCREW, HEX HD, 1/4-20 X 4 LG, GR 18-8
10	12	1022-0110	NUT, HEX, 1/4-20 UNC, SS
11	1	1101-1265	O-RING, 7-3/4 ID X 1/8 THK, NBR70

Note: Parts lists are applicable to standard models only.