

# 5024-H | HYDRAULIC APPLIED CALIPER DISC BRAKE

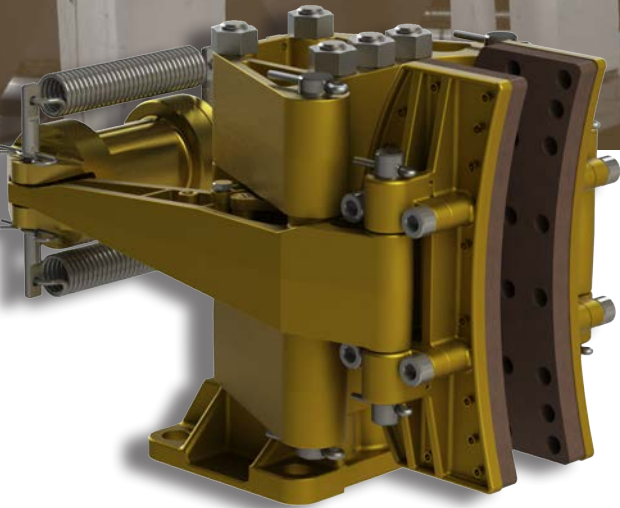


## KEY BENEFITS

Bronze & stainless steel construction

Easily changed brake pads

Well matched to Kobelt's standard range of 2" ventilated discs



## Putting you in control.

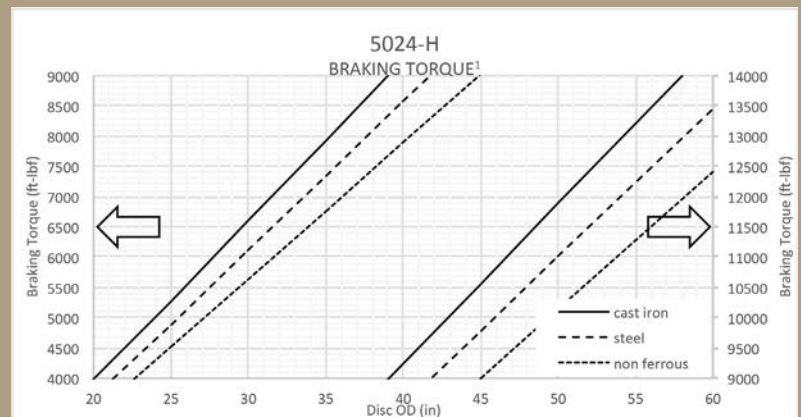
Constructed entirely of bronze and stainless steel, Kobelt's hydraulic applied disc brakes are built to last in the harshest, most corrosive conditions.

The brake features a shoe design which allows the brake pads to be easily and quickly changed while leaving the caliper in place.

Available with several options, these caliper disc brakes are well suited for service braking applications in the oil and gas, mining, material handling and manufacturing industries.

## SPECIFICATIONS

Normal Force:	0...7900 lbs	[35.2 KN]
Maximum Pressure:	1000 psi	[69 bar]
Port Size:	-4 ORB	
Actuator Volume:	1.6 in <sup>3</sup>	[26 cc]
Temperature Range:	-40°F...+131°F -40°C...+55°C	
Disc Thickness:	2 in	[51 mm]
Minimum Disc Diameter:	20 in	[508 mm]
Maximum Disc Diameter <sup>2</sup> :	Unlimited	
Pad Life:	1900 hp-hr	[1418 kw-hr]
Weight:	103 lbs	[46.7 kg]

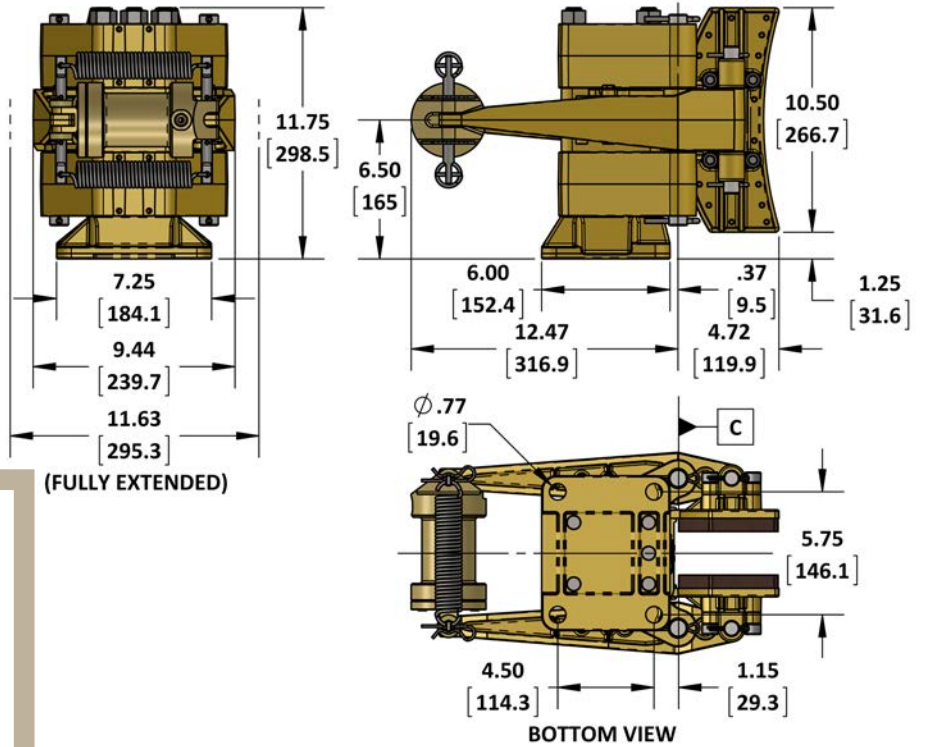


<sup>1</sup> Values in this chart are theoretical and for reference only. They are based on properly bedded and burnished linings acting on a rotor at 20°C and manufactured to required specifications.

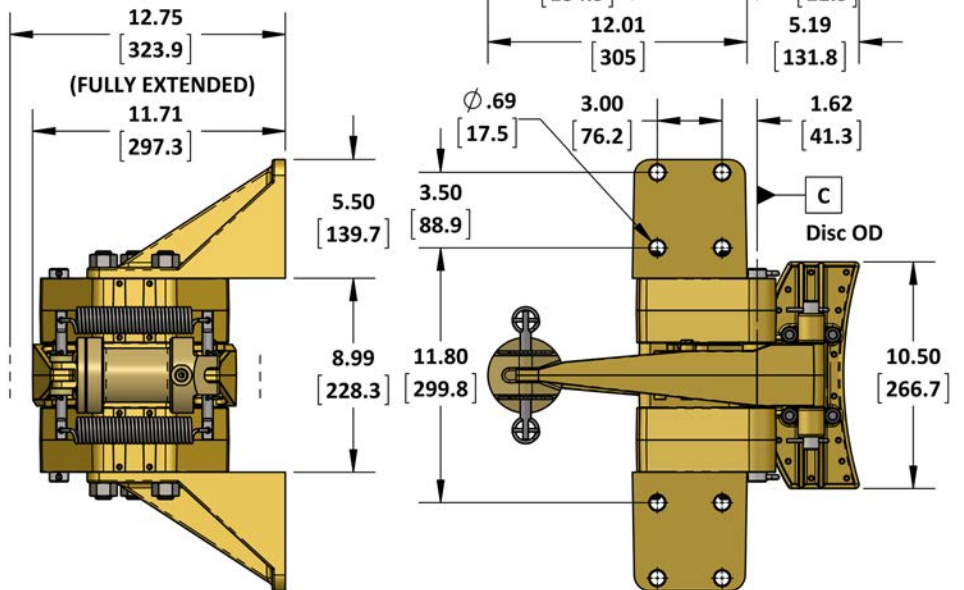
<sup>2</sup> Requires a minimum 4.71 in [120 mm] wide face.

# SPECIFICATIONS

## FOOT MOUNTED VERSION



## SIDE MOUNTED VERSION



### Brake Model Code Key

5024-H

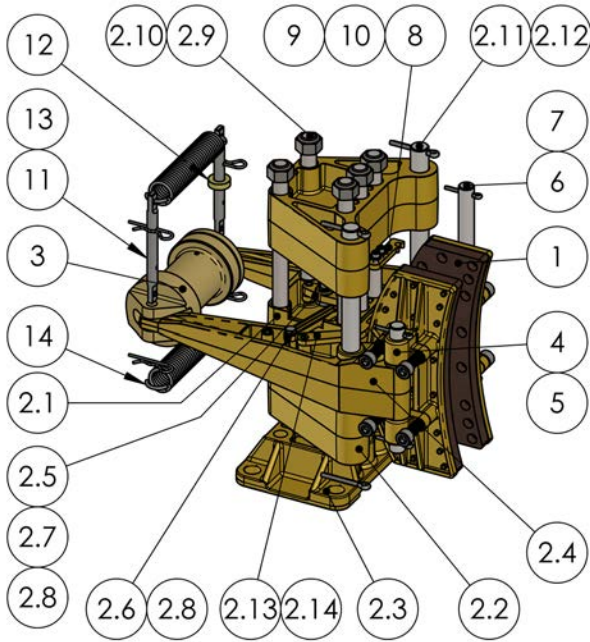
- Friction material
  - (blank) = standard
  - N = non-sparking
  - C = low COF (.12-.15)
  - E = mid COF (.25-.28)

- Disc thickness
  - (blank) = 2.000 in
  - 175 = 1.750 in
  - 150 = 1.500 in
  - 125 = 1.250 in
  - 100 = 1.000 in

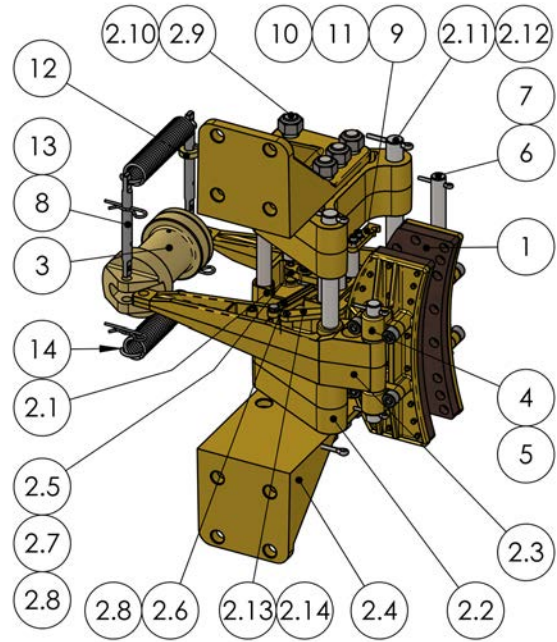
- Mounting code
  - (blank) = foot mounted
  - W = side mounted

# PARTS LISTING

## 5024-H Caliper Brake



## 5024-HW Caliper Brake

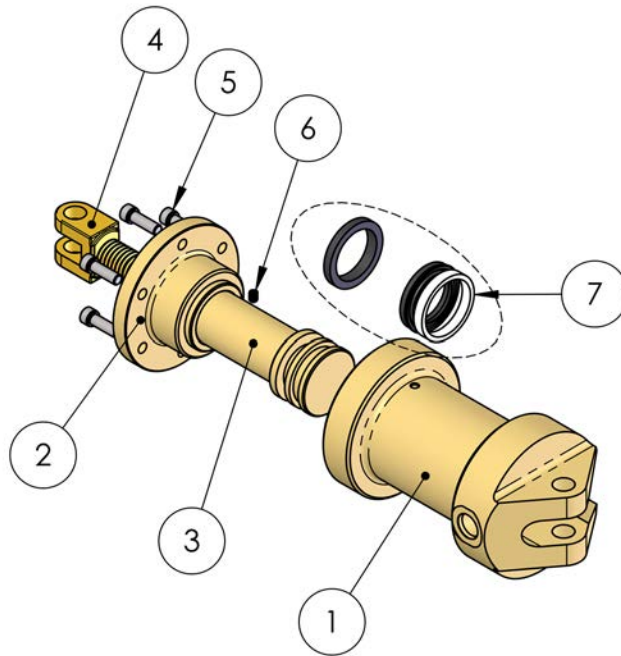


ITEM	QTY.	PART NUMBER	5024-H DESCRIPTION
1	2	5024-LS	SHOE ASSEMBLY, 5024 CALIPER, 5/8" K5
2	1	5024-SUB-SA	SUB-ASSEMBLY, 5024 CALIPER
2.1	1	5024-0003	SPACER, 5024 CALIPER
2.2	2	5024-0002	SADDLE, 5024 CALIPER
2.3	1	5024-0001	FOOT, 5024 CALIPER
2.4	2	5024-0004	LEVER, 5024 CALIPER
2.5	1	5024-0019	CENTRE PIVOT LINK, 5024 CALIPER
2.6	2	5024-0010	CONNECTING LINK, 5024 CALIPER
2.7	1	5024-0025	SHOULDER BOLT, 5024 CALIPER
2.8	4	5024-0024	SHOULDER BOLT, 5024 CALIPER
2.9	5	5024-0023	TIE ROD, 5024/25 CALIPERS
2.10	5	1022-0117	NUT, HEX, 3/4-10 UNC, Gr 18-8
2.11	2	5024-0022	SADDLE PIN, 5024/25 CALIPERS
2.12	4	1026-1028	COTTER PIN, 1/4 X 1 3/4
2.13	2	5024-0011	BALANCING LINK NO. 1, 5024 CALIPER
2.14	2	5024-0026	LINK PIN, 5024 - 5026 CALIPERS
3	1	6210-H	ACTUATOR ASSEMBLY, HYDRAULIC APPLIED
4	4	5024-0006	PIVOT BLOCK, 5024 CALIPER
5	8	1002-1420	SCREW, SKT HD, 1/2-13 UNC X 1-1/4, SS
6	2	5024-0021	SHOE PIN, 5024/25 CALIPERS
7	4	1026-0824	COTTER PIN, 3/16 X 1 1/2
8	2	5024-0012	BALANCE LINK NO. 2, 5024 CALIPER
9	4	1023-0232	WASHER, FLAT, TYPE B NARROW, 1/4 in
10	4	1002-1010	SHCS, 1/4-20 UNC X 5/8 LG, 18-8 SS
11	2	6211-0107	CLEVIS PIN, 6211 ACTUATOR
12	2	1023-0215	FLAT WASHER, 1/2 X 5/16, ASTM F436
13	4	1039-0238	HITCH PIN, .120 X 2 3/8, S/S
14	2	1202-1010	SPRING, EXTENSION, 1.25 OD X .156 WIRE, AISI 302, 30 TURNS

ITEM	QTY.	PART NUMBER	5024-HW DESCRIPTION
1	2	5024-LS	SHOE ASSEMBLY, 5024 CALIPER, 5/8" K5
2	1	5024-SUB-SAW	SUB-ASSEMBLY, 5024 CALIPER
2.1	1	5024-0003	SPACER, 5024 CALIPER
2.2	2	5024-0002	SADDLE, 5024 CALIPER
2.3	2	5024-0004	LEVER, 5024 CALIPER
2.4	2	5027-0200	SIDE MOUNT FOOT, 5027 CALIPER
2.5	1	5024-0019	CENTRE PIVOT LINK, 5024 CALIPER
2.6	2	5024-0010	CONNECTING LINK, 5024 CALIPER
2.7	1	5024-0025	SHOULDER BOLT, 5024 CALIPER
2.8	4	5024-0024	SHOULDER BOLT, 5024 CALIPER
2.9	5	5024-0023	TIE ROD, 5024/25 CALIPERS
2.10	10	1022-0117	NUT, HEX, 3/4-10 UNC, Gr 18-8
2.11	2	5024-0022	SADDLE PIN, 5024/25 CALIPERS
2.12	4	1026-1028	COTTER PIN, 1/4 X 1 3/4
2.13	2	5024-0011	BALANCING LINK NO. 1, 5024 CALIPER
2.14	2	5024-0026	LINK PIN, 5024 - 5026 CALIPERS
3	1	6210-H	ACTUATOR ASSEMBLY, HYDRAULIC APPLIED
4	4	5024-0006	PIVOT BLOCK, 5024 CALIPER
5	8	1002-1420	SCREW, SKT HD, 1/2-13 UNC X 1-1/4, SS
6	2	5024-0021	SHOE PIN, 5024/25 CALIPERS
7	4	1026-0824	COTTER PIN, 3/16 X 1 1/2
8	2	6211-0107	CLEVIS PIN, 6211 ACTUATOR
9	2	5024-0012	BALANCE LINK NO. 2, 5024 CALIPER
10	4	1023-0232	WASHER, FLAT, TYPE B NARROW, 1/4 in
11	4	1002-1010	SHCS, 1/4-20 UNC X 5/8 LG, 18-8 SS
12	2	1023-0215	FLAT WASHER, 1/2 X 5/16, ASTM F436
13	4	1039-0238	HITCH PIN, .120 X 2 3/8, S/S
14	2	1202-1010	SPRING, EXTENSION, 1.25 OD X .156 WIRE, AISI 302, 30 TURNS

# PARTS LISTING

## 6210-H Actuator



ITEM	QTY.	PART NUMBER	6210-H DESCRIPTION
1	1	6210-0201	CYLINDER, 6210-H ACTUATOR
2	1	6210-0202	CYLINDER ENDCAP, 6210-H
3	1	6210-0103	PISTON, 6210-H
4	1	6230-0005	CLEVIS, 3/4 UNC X 0.50 DIA
5	6	1002-1012	SCREW, SCKT HD, 1/4-20 UNC X 3/4, SS
6	1	1016-0804	SET SCREW 10-24 X 1/4, SS
7	1	6210-H-RK	SEAL KIT, 6210-H ACTUATOR

Note: Parts lists are applicable to standard models only.