



Picture shows a 6515 control head
and a 6510 switch panel assembly

MODEL 6515 TRIPLE ENGINE CONTROL HEAD

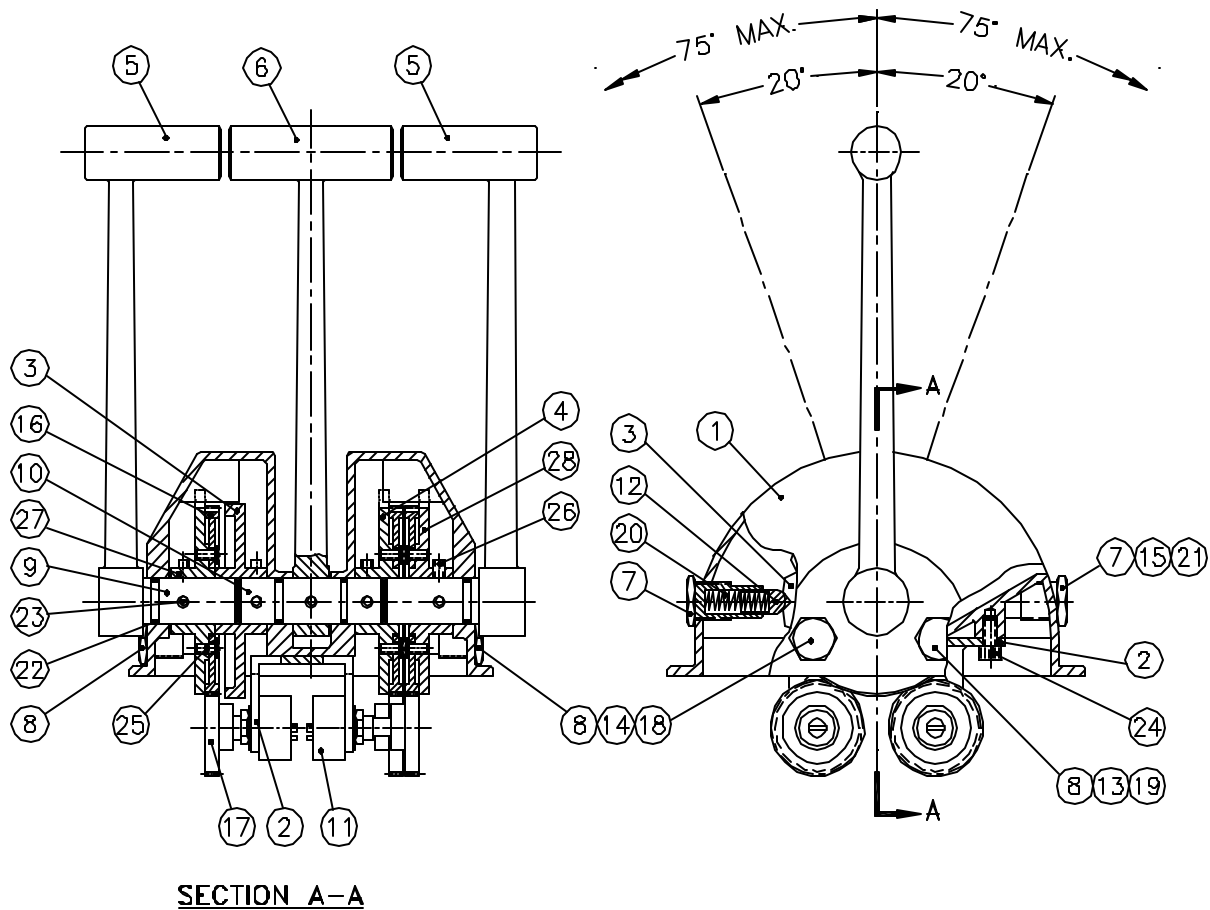
This unit was designed specifically to handle three independent engines for marine propulsion applications. The actual control Model 6515 is mounted on a Model 6510 panel and is available with four to six touch-pad buttons. It is capable of providing almost any kind of control functions on board ship.

The entire unit is constructed in bronze and stainless steel and is water tight from the top side. If, however, the unit is exposed to some severe environmental conditions it might be prudent to install a protective cover. The underside of the unit should be protected from the environment since it is not hermetically sealed. This control head can be used with any other electronic control components provided by Kobelt.

Available in: Black Epoxy
 Chrome Plated
(Handles are normally chrome plated)

Please visit our website www.kobelt.com for more information.

MODEL 6515 PARTS LIST



SECTION A-A

Item	Qty	Part Number	Description	Item	Qty	Part Number	Description
1	1	6515-0001	Dome	*15	1	2545-0021	Friction Pad
2	1	6515-0002	Potentiometer Support	16	3	YP-3280	Gear, 80 teeth
3	1	6515-0003	Cam (middle for detent)	17	3	YPB-3240	Gear, 40 teeth
4	1	6515-0004	Cam (middle)	*18	2	6505-0205	Spring, for friction
5	2	6515-0005	Handle (side)	*19	2	6505-0206	Spring, for detent
6	1	6515-0006	Handle (middle)	20	1	1201-0075	Spring, for detent
7	2	6515-0007	Detent Plug (long)	*21	1	1201-0063	Spring, for friction
8	4	6515-0008	Detent Plug (short)	22	4	1101-0014	"O" Ring
9	2	6515-0009	Handle Shaft (side)	23	5	1024-0616	Spring Pin
10	1	6515-0010	Shaft (middle)	24	2	1002-0806	Hex Socket Cap Screw
11	3	POT-5	Potentiometer 6639S-447-502	25	12	1012-0606	Pan Hd Phillips Screw
12	1	6515-0011	Detent	26	5	1016-0804	Set Screw
*13	2	2009-0011	Detent	27	1	6515-0004L	Cam (left)
*14	2	2542-0008	Friction Pad	28	1	6515-0004R	Cam (right)

* Items not shown on drawing