

# 7165L | JOYSTICK



## *Putting You In Control.*

The Kobelt 7165L joystick is a single axis input device that can be configured for discrete or analog output. This allows for simple use as a jog unit, capable of control in two directions, or as an infinitely variable positioning device. Its small size allows for installation in tight areas where space constraints are paramount.

Manufactured from die cast bronze and stainless steel, the 7165L is designed for indoor and outdoor installation. The joystick is protected with a UV and water-resistant rubber boot that prevents ingress into the electronic components.

## Key Features

- Bronze and stainless steel construction
- Durable rubber boot seal on joystick handle
- Configurable controller outputs and handle behavior

## Specifications

### OUTPUT

- Potentiometer:
- Range:
- Max Power:
- Connection:

### Potentiometer

1k $\Omega$  or 5k $\Omega$   
18% - 82%  
1W  
80 in [2m] lead  
18 AWG [0.75 mm<sup>2</sup>]

- Handle travel: 24° (per direction)
- Return spring operating force: 1 lb·f [4.5N]
- Finish: Polyester powder coat, textured black
- Operating Temperature: -13°F ... 158°F [-25°C ... 70°C]
- Weight: 1.0 lbs [0.45kg]

### OUTPUT

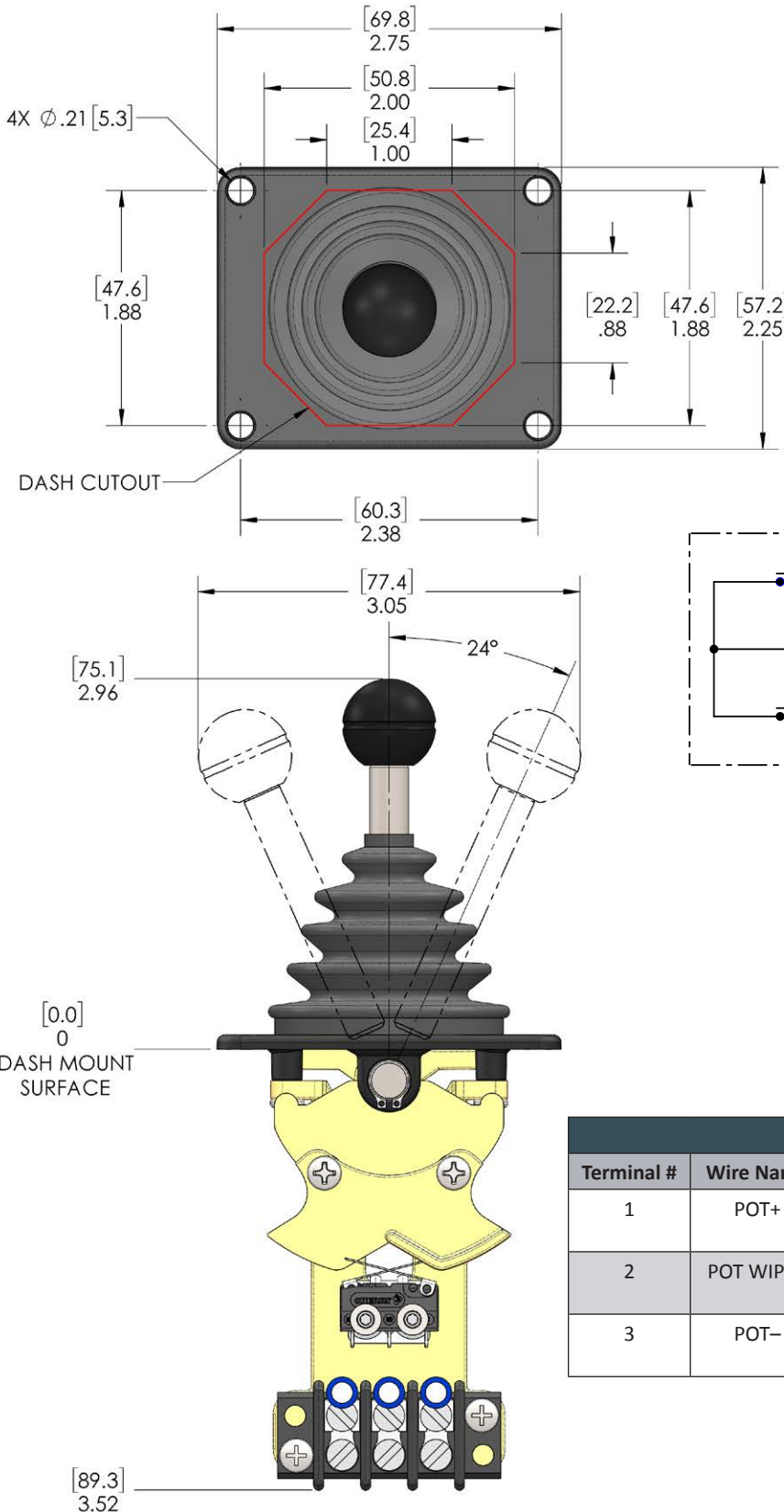
- Switch Contacts:
- Maximum Voltage:
- Maximum Current:
- Connection:

### Discrete

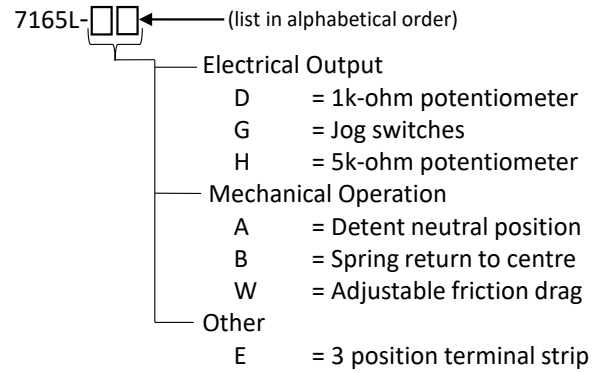
Form C, N.O or N.C  
One per direction  
250 VAC  
10A  
80 in [2m] lead  
18 AWG [0.75 mm<sup>2</sup>]

# SPECIFICATIONS

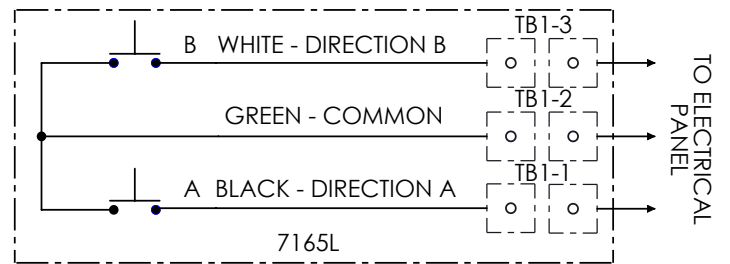
## GENERAL ARRANGEMENT



## MODEL CODE KEY



## WIRING DIAGRAM 7165L-EG



## POTENTIOMETER PIN OUT

7165L-D/7165L-H				
Terminal #	Wire Name	Colour	Gauge <sup>1</sup>	Function
1	POT+	White	18AWG	Potentiometer power supply connection.
2	POT WIPER	Red	18AWG	Potentiometer signal connection.
3	POT-	Black	18AWG	Potentiometer ground connection.