

5026-SH | SPRING APPLIED / HYDRAULIC RELEASED CALIPER DISC BRAKE



KEY BENEFITS

Bronze & stainless steel construction

Rapid brake pad change out

Well matched to Kobelt's standard range of 4"x7" ventilated discs

Putting you in control.

Constructed entirely of bronze and stainless steel, Kobelt's spring applied disc brakes are built to last in the harshest, most corrosive conditions.

The brake features a shoe design which allows the brake pads to be easily and quickly changed while leaving the caliper in place.

Available with several options, these caliper disc brakes are well suited for parking or emergency braking duty on draw works, hoists, winches and more.

SPECIFICATIONS

PART NO.	NORMAL FORCE ¹	PRESSURES	
		RELEASE	HOLD-OFF
5026-SH	16,690 lbs [74.3 kN]	820 psi [57 bar]	640 psi [44 bar]
5026-SH100	15,140 lbs [67.4 kN]	690 psi [48 bar]	560 psi [39 bar]
5026-SH80	13,700 lbs [61.0 kN]	620 psi [43 bar]	490 psi [34 bar]
5026-SH75	11,710 lbs [52.1 kN]	540 psi [37 bar]	400 psi [28 bar]

Maximum Pressure: 2000 psi [138 bar]

Port Size: -5 ORB

Actuator Volume: 12.6 in³ [206 cc]

Temperature Range: -40°F...+131°F
-40°C...+55°C

Disc Thickness: 4 in [102 mm]

Max Running Clearance: .08 in [2.0 mm]

Minimum Disc Diameter: 30 in [762 mm]

Maximum Disc Diameter²: 61 in [1549 mm]

Total Pad Area: 175 in² [1128 cm²]

Weight: 298 lbs [135 kg]

¹Torque:

$$T_B = 2F_N\mu \left(\frac{OD-8.15}{24} \right)$$

Where:

T_B = brake torque (ft-lbf)

F_N = normal force (lbf)

μ = coefficient of friction

= 0.38 (ferrous)

= 0.35 (nonferrous)

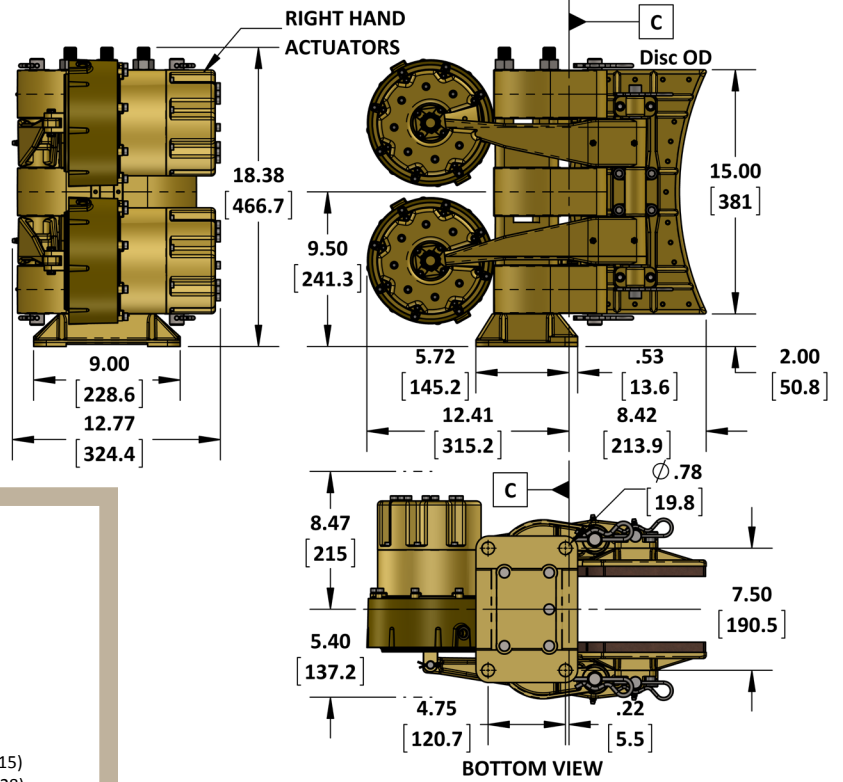
Friction values are theoretical and for reference only. They are based on properly bedded and burnished linings acting on a rotor at 20°C, manufactured to required specifications.

OD = brake disc diameter (in)

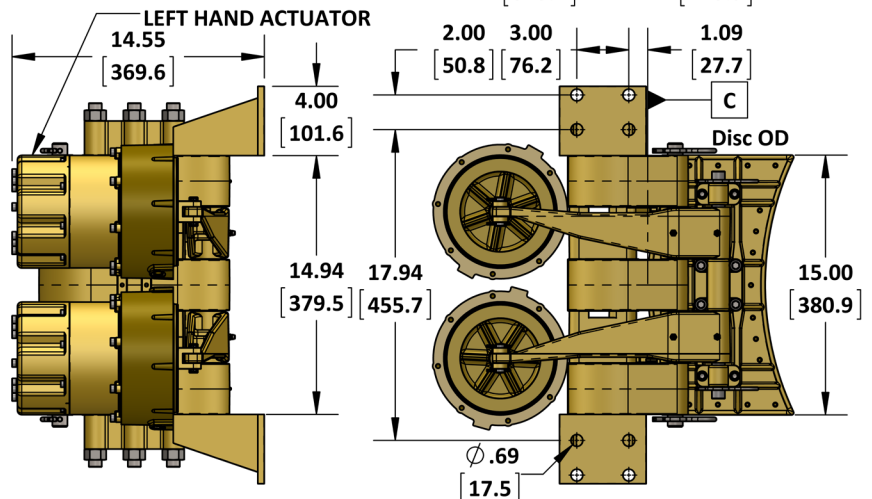
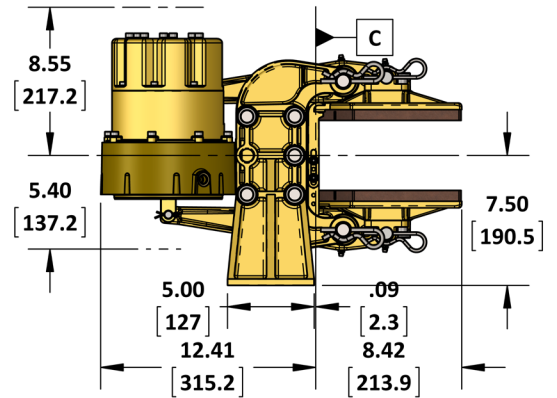
²Requires a minimum 7.28 in [185 mm] wide face

SPECIFICATIONS

FOOT MOUNTED VERSION



SIDE MOUNTED VERSION



Brake Model Code Key

5026- [] - [] - [] - [] - []

Added options
LS = limit switch

Friction material
(blank) = standard
N = non-sparking
C = low COF (.12-.15)
E = mid COF (.25-.28)

Disc thickness
(blank) = 4.000 in
350 = 3.500 in
300 = 3.000 in
250 = 2.500 in
200 = 2.000 in

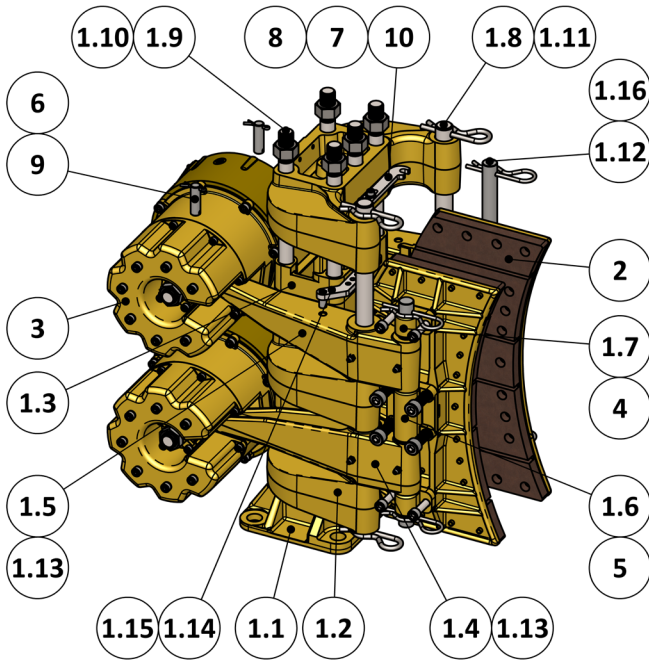
Actuator handing
LH = springs on left hand side
RH = springs on right hand side

Mounting code
(blank) = foot mounted
W = side mounted

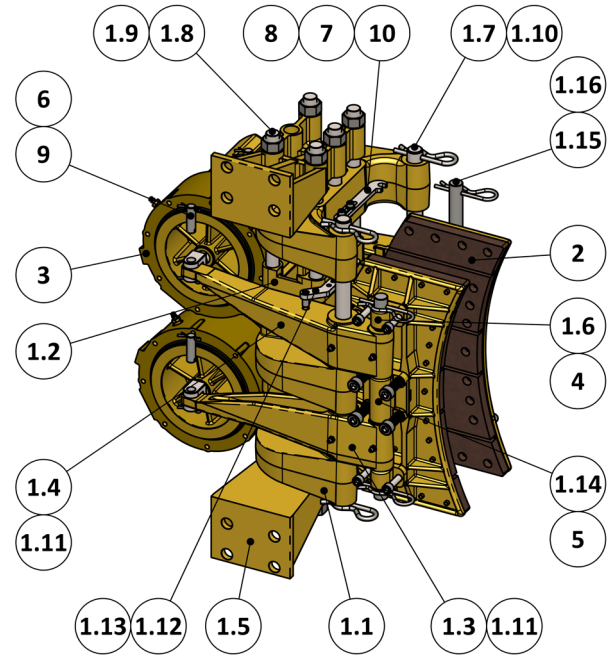
Actuator code
SH = 820 psi release
SH100 = 690 psi release
SH80 = 620 psi release
SH75 = 540 psi release

PARTS LISTING

5026-SH Caliper Brake



5026-SHW Caliper Brake

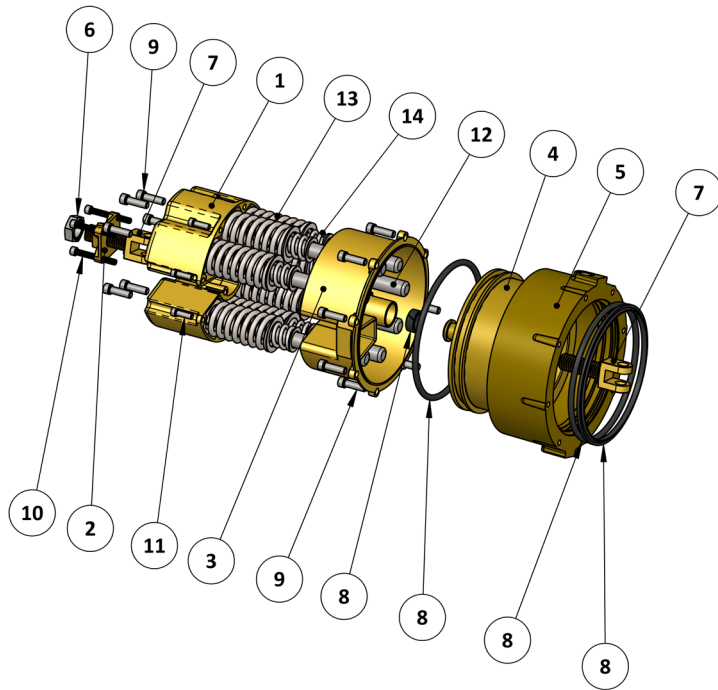


ITEM	QTY.	PART NUMBER	5026-SH DESCRIPTION
1	1	5026-SUB	SUB-ASSEMBLY, 5026 CALIPER
1.1	1	5026-0001	FOOT, 5026 CALIPER
1.2	3	5026-0002	SADDLE, 5026 CALIPER
1.3	2	5026-0003	SPACER, 5026 CALIPER
1.4	2	5027-0004-R	LEVER, RIGHT, 5027
1.5	2	5027-0004-L	LEVER ARM, LEFT, 5026 CALIPER
1.6	2	5026-0013	PIVOT BLOCK, CENTER, 5026 CALIPER
1.7	4	5026-0014	PIVOT BLOCK, OUTER, 5026 CALIPER
1.8	2	5026-0028	PIVOT PIN, 5026/28 CALIPERS
1.9	5	5027-0023	TIE ROD, 5026 & 5027 CALIPER
1.10	5	1022-0117	NUT, HEX, 3/4-10 UNC, Gr 18-8
1.11	4	1039-0470	PIN, HAIRPIN COTTER, 1/4 X 4-1/4, STEEL
1.12	2	5026-0027	SHOE PIN, 5026 CALIPER
1.13	8	1501-0301	GREASE NIPPLE, 1/4-28
1.14	2	5025-0011	BALANCING LINK, PIVOT END
1.15	2	5024-0026	LINK PIN, 5024 - 5026 CALIPERS
1.16	4	1039-0352	HITCH PIN, 5/16 X4, STEEL
2	2	5026-LS	SHOE ASSEMBLY, 5/8" K5, 5026 CALIPER
3	2	6232-H115	ACTUATOR ASSEMBLY, SPRING/ HYDRAULIC
4	8	1002-1220	SCREW, SKT HD, 3/8-16 UNC X 1-1/4, SS
5	8	1002-1420	SCREW, SKT HD, 1/2-13 UNC X 1-1/4, SS
6	8	1026-0516	COTTER PIN, 1/8" X 1", SS
7	4	1002-1010	SCREW, SKT HD, 1/4 UNC X 5/8 LG, 18-8 SS
8	4	1023-0216	FLAT WASHER, 1/4, TYPE B, NARROW
9	4	6230-0010	CLEVIS PIN, 1/2" DIA
10	2	5025-0012	BALANCING LINK, FORK END, 5025 CALIPER

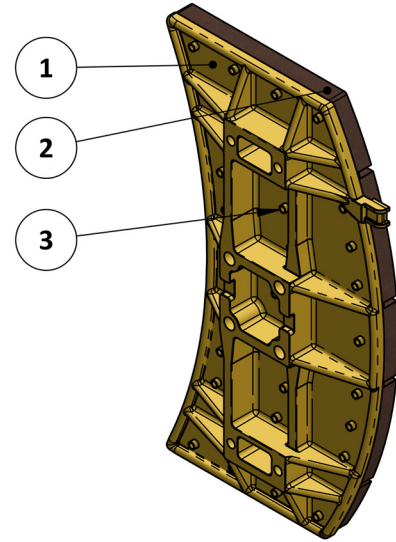
ITEM	QTY.	PART NUMBER	5026-SHW DESCRIPTION
1	1	5026-SUB-W	SUB-ASSEMBLY, SIDE MOUNT
1.1	3	5026-0002	SADDLE, 5026 CALIPER
1.2	2	5026-0003	SPACER, 5026 CALIPER
1.3	2	5027-0004-R	LEVER, RIGHT, 5027
1.4	2	5027-0004-L	LEVER ARM, LEFT, 5026 CALIPER
1.5	2	5026-0060	BRACKET, SIDEWALL MOUNT, 5025/5026
1.6	4	5026-0014	PIVOT BLOCK, OUTER, 5026 CALIPER
1.7	2	5026-0028	PIVOT PIN, 5026/28 CALIPERS
1.8	5	5026-0124	TIE ROD, SIDE MOUNT CALIPER
1.9	10	1022-0117	NUT, HEX, 3/4-10 UNC, Gr 18-8
1.10	4	1039-0470	PIN, HAIRPIN COTTER, 1/4 X 4-1/4, STEEL
1.11	8	1501-0301	GREASE NIPPLE, 1/4-28
1.12	2	5025-0011	BALANCING LINK, PIVOT END
1.13	2	5024-0026	LINK PIN, 5024 - 5026 CALIPERS
1.14	2	5026-0013	PIVOT BLOCK, CENTER, 5026 CALIPER
1.15	2	5026-0027	SHOE PIN, 5026 CALIPER
1.16	4	1039-0352	HITCH PIN, 5/16 X4, STEEL
2	2	5026-LS	SHOE ASSEMBLY, 5/8" K5, 5026 CALIPER
3	2	6232-H115	ACTUATOR ASSEMBLY, SPRING/ HYDRAULIC
4	8	1002-1220	SCREW, SKT HD, 3/8-16 UNC X 1-1/4, SS
5	8	1002-1420	SCREW, SKT HD, 1/2-13 UNC X 1-1/4, SS
6	8	1026-0516	COTTER PIN, 1/8" X 1", SS
7	4	1002-1010	SCREW, SKT HD, 1/4 UNC X 5/8 LG, 18-8 SS
8	4	1023-0216	FLAT WASHER, 1/4, TYPE B, NARROW
9	4	6230-0010	CLEVIS PIN, 1/2" DIA
10	2	5025-0012	BALANCING LINK, FORK END, 5025 CALIPER

PARTS LISTING

6232-H115 Actuator



5026-LS



ITEM	QTY.	PART NUMBER	6232-H115 DESCRIPTION
1	1	6230-0001	SPRING HOUSING, COVER
2	1	6230-0004	CLEVIS BRACKET, 6230 & 6232 ACTUATOR
3	1	6230-0101	SPRING HOUSING, CENTRE
4	1	6232-0202	PISTON, 6" ROD, 6232 ACTUATOR
5	1	6232-0201	CYLINDER, 6" ROD, 6232 ACTUATOR
6	1	1022-0217	NUT, JAM, 3/4-10 UNC, SS
7	2	6230-0005	CLEVIS, 3/4 UNC X 0.50 DIA
8	1	6232-HD-RK	SEAL KIT, 6232-HD & 6232-H115 ACTUATORS
9	15	1002-1116	SCREW, SCKT HD, 5/16-18 UNC X 1, SS
10	4	1002-1032	SCREW, SCKT HD, 1/4-20 UNC X 2, SS
11	8	1002-1012	SCREW, SCKT HD, 1/4-20 UNC X 3/4, SS
12	7	6230-0012	SPRING GUIDE - 3/4"
13	7	1201-0158	SPRING, COMPRESSION, 1.68 OD X .250 WIRE X 9.5L
14	7	1201-0159	SPRING, COMPRESSION, 1.15 OD X .177 WIRE X 9.5L

ITEM	QTY.	PART NUMBER	5026-LS DESCRIPTION
1	1	5026-0005	SHOE, 5026 CALIPER
2	1	5026-0007-K	LINING, 5/8" K5, 5026 CALIPER
3	29	1033-1007	RIVET, 1/4 X 7/16 (10-7), BRASS

Note: Parts lists are applicable to standard models only.