

5027-H | HYDRAULIC APPLIED CALIPER DISC BRAKE

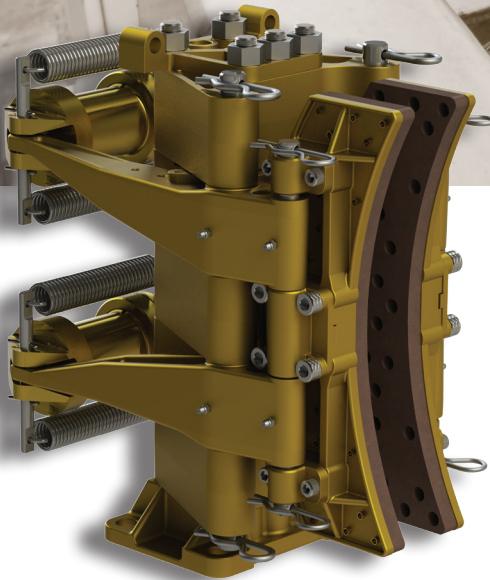


KEY BENEFITS

Bronze & stainless steel construction

Easily changed brake pads

Well matched to Kobelt's standard range of 2"x4" ventilated discs



Putting you in control.

Constructed entirely of bronze and stainless steel, Kobelt's hydraulic applied disc brakes are built to last in the harshest, most corrosive conditions.

The brake features a shoe design which allows the brake pads to be easily and quickly changed while leaving the caliper in place.

Available with several options, these caliper disc brakes are well suited for service braking applications in the winches, pleasure craft and other light duty applications.

SPECIFICATIONS

Normal Force:	14,670 lbs	[65.3 KN]
Maximum Pressure:	1000 psi	[69 bar]
Port Size:	-4 ORB	
Actuator Volume:	3.9 in ³	[63 cc]
Temperature Range:	-40°F...+131°F -40°C...+55°C	
Disc Thickness:	2 in	[50.8 mm]
Minimum Disc Diameter:	28 in	[711 mm]
Maximum Disc Diameter ² :	75 in	[1905 mm]
Pad Life:	6740 hp-hr	[5028 kw-hr]
Total Pad Area:	106 in ²	[688 cm ²]
Weight:	193 lbs	[87.6 kg]

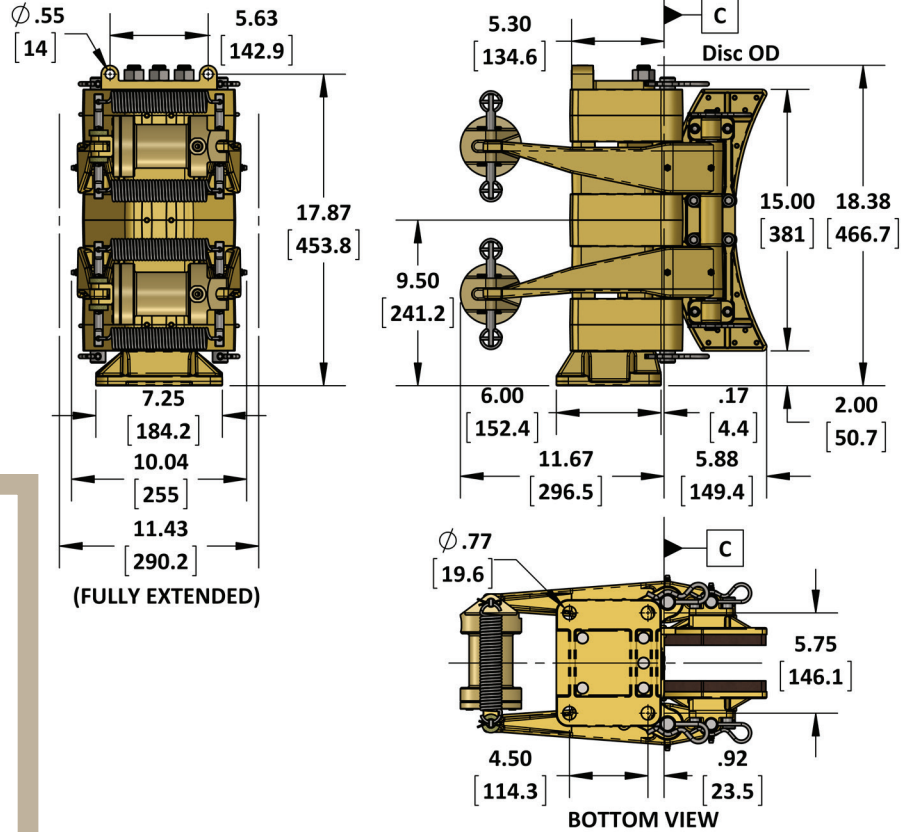


¹ Values in this chart are theoretical and for reference only. They are based on properly bedded and burnished linings acting on a rotor at 20°C and manufactured to required specifications.

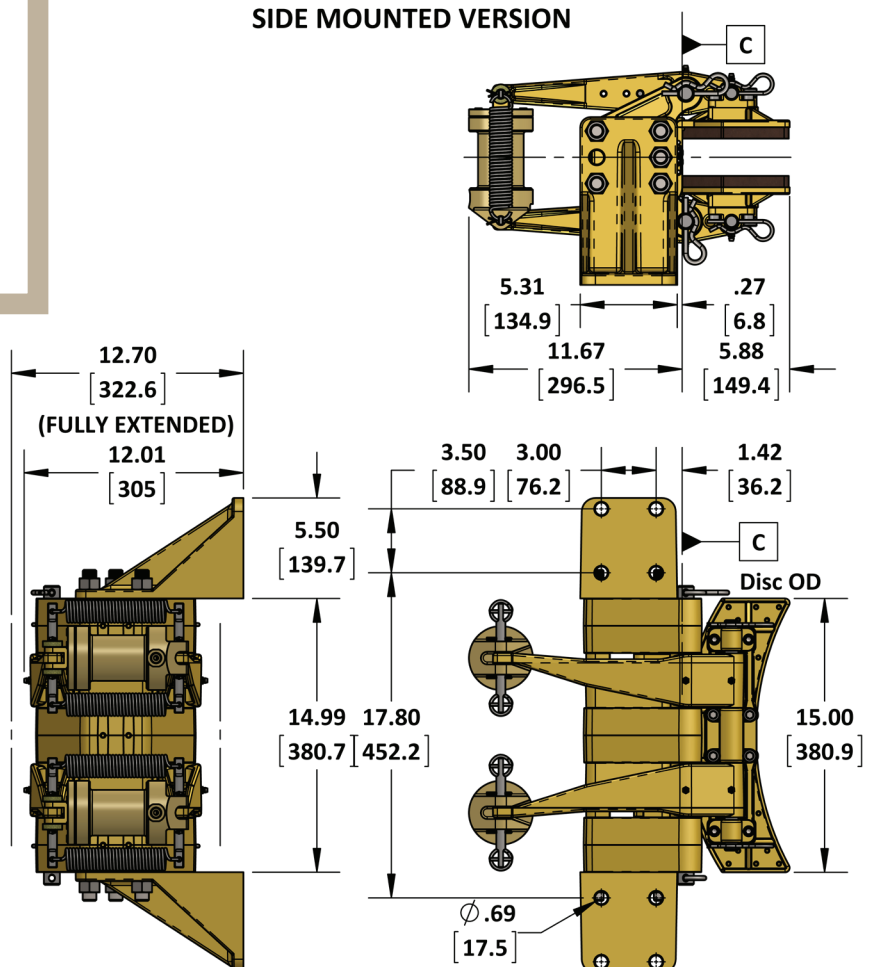
² Requires a minimum 5.12 in [130 mm] wide face.

SPECIFICATIONS

FOOT MOUNTED VERSION



SIDE MOUNTED VERSION



Brake Model Code Key

5027-H

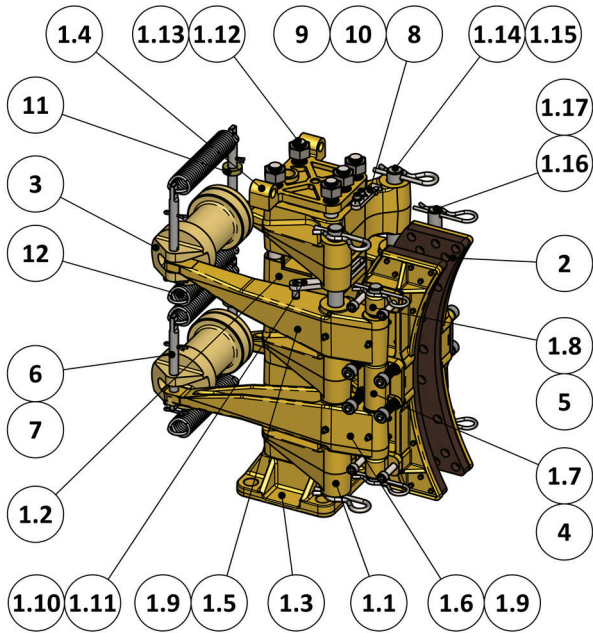
- Friction material
(blank) = standard
N = non-sparking
C = low COF (.12-.15)
E = mid COF (.25-.28)

- Disc thickness
(blank) = 2.000 in
175 = 1.750 in
150 = 1.500 in
125 = 1.250 in
100 = 1.000 in

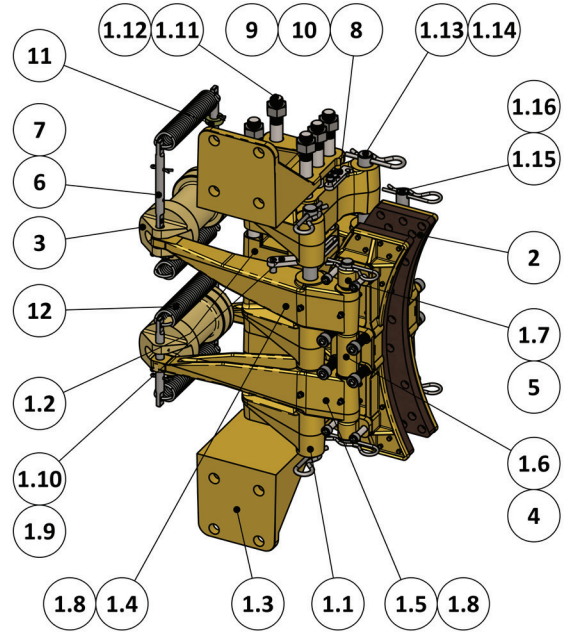
- Mounting code
(blank) = foot mounted
W = side mounted

DARTS LISTING

5027-H Caliper Brake



5027-HW Caliper Brake

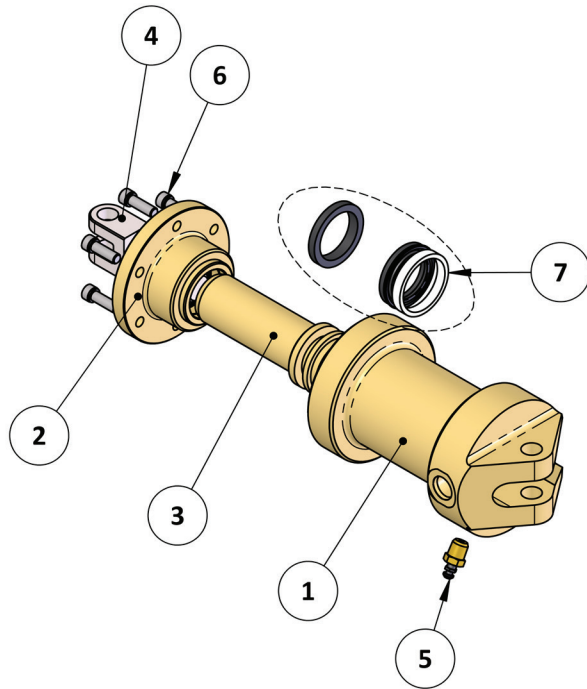


ITEM	QTY.	PART NUMBER	5027-H DESCRIPTION
1	1	5027-SUB	SUB-ASSEMBLY, 5027 CALIPER
1.1	3	5027-0002	SADDLE, 5027 CALIPER
1.2	2	5024-0003	SPACER, 5024 CALIPER
1.3	1	5024-0001	FOOT, 5024 CALIPER
1.4	1	5027-0100	TOP SUPPORT, 5027 CALIPER
1.5	2	5027-0004-L	LEVER ARM, LEFT, 5026 CALIPER
1.6	2	5027-0004-R	LEVER, RIGHT, 5027
1.7	2	5026-0013	PIVOT BLOCK, CENTER, 5026 CALIPER
1.8	4	5026-0014	PIVOT BLOCK, OUTER, 5026 CALIPER
1.9	10	1501-0301	GREASE NIPPLE, 1/4-28
1.10	2	5024-0026	LINK PIN, 5024 - 5026 CALIPERS
1.11	2	5024-0011	BALANCING LINK NO. 1, 5024 CALIPER
1.12	5	5027-0023	TIE ROD, 5026 & 5027 CALIPER
1.13	5	1022-0117	NUT, HEX, 3/4-10 UNC, Gr 18-8
1.14	2	5027-0022	SADDLE PIN, 5027 CALIPER
1.15	4	1039-0470	PIN, HAIRPIN COTTER, 1/4 X 4-1/4, STEEL
1.16	2	5027-0021	SHOE PIN, 5027 CALIPER
1.17	4	1039-0352	HITCH PIN, 5/16 X4, STEEL
2	2	5027-LS	SHOE ASSEMBLY, 5/8" K5, 5027 CALIPER
3	2	6210-H	ACTUATOR ASSEMBLY, HYDRAULIC APPLIED
4	8	1002-1420	SCREW, SKT HD, 1/2-13 UNC X 1-1/4, SS
5	8	1002-1220	SCREW, SKT HD, 3/8-16 UNC X 1-1/4, SS
6	4	6211-0107	CLEVIS PIN, 6211 ACTUATOR
7	8	1026-0516	COTTER PIN, 1/8" X 1", SS
8	2	5024-0012	BALANCE LINK NO. 2, 5024 CALIPER
9	4	1023-0216	FLAT WASHER, 1/4, TYPE B, NARROW
10	4	1002-1010	SCREW, SKT HD, 1/4 UNC X 5/8 LG, 18-8 SS
11	4	1023-0215	FLAT WASHER, 1/2 X 5/16, ASTM F436
12	4	1202-1010	SPRING, EXT., 1.25ODX.156WIRE, AISI 302

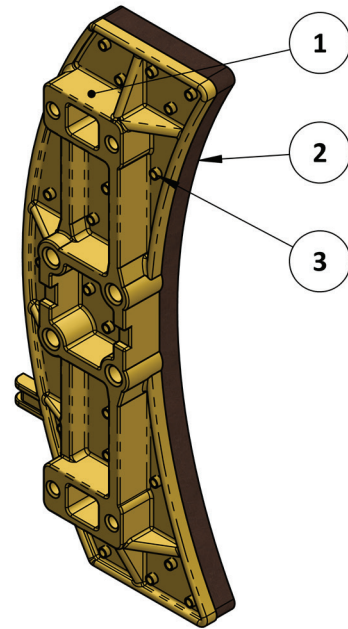
ITEM	QTY.	PART NUMBER	5027-HW DESCRIPTION
1	1	5027-SUB-SW	SUB-ASSEMBLY, 5027 CALIPER, SIDE MOUNT
1.1	3	5027-0002	SADDLE, 5027 CALIPER
1.2	2	5024-0003	SPACER, 5024 CALIPER
1.3	2	5027-0200	SIDE MOUNT FOOT, 5027 CALIPER
1.4	2	5027-0004-L	LEVER ARM, LEFT, 5026 CALIPER
1.5	2	5027-0004-R	LEVER, RIGHT, 5027
1.6	2	5026-0013	PIVOT BLOCK, CENTER, 5026 CALIPER
1.7	4	5026-0014	PIVOT BLOCK, OUTER, 5026 CALIPER
1.8	8	1501-0301	GREASE NIPPLE, 1/4-28
1.9	2	5024-0026	LINK PIN, 5024 - 5026 CALIPERS
1.10	2	5024-0011	BALANCING LINK NO. 1, 5024 CALIPER
1.11	5	5027-0023	TIE ROD, 5026 & 5027 CALIPER
1.12	10	1022-0117	NUT, HEX, 3/4-10 UNC, Gr 18-8
1.13	2	5027-0022	SADDLE PIN, 5027 CALIPER
1.14	3	1039-0470	PIN, HAIRPIN COTTER, 1/4 X 4-1/4, STEEL
1.15	2	5027-0021	SHOE PIN, 5027 CALIPER
1.16	4	1039-0352	HITCH PIN, 5/16 X4, STEEL
2	2	5027-LS	SHOE ASSEMBLY, 5/8" K5, 5027 CALIPER
3	2	6210-H	ACTUATOR ASSEMBLY, HYDRAULIC APPLIED
4	8	1002-1420	SCREW, SKT HD, 1/2-13 UNC X 1-1/4, SS
5	8	1002-1220	SCREW, SKT HD, 3/8-16 UNC X 1-1/4, SS
6	4	6211-0107	CLEVIS PIN, 6211 ACTUATOR
7	8	1026-0516	COTTER PIN, 1/8" X 1", SS
8	2	5024-0012	BALANCE LINK NO. 2, 5024 CALIPER
9	4	1023-0216	FLAT WASHER, 1/4, TYPE B, NARROW
10	4	1002-1010	SCREW, SKT HD, 1/4 UNC X 5/8 LG, 18-8 SS
11	4	1023-0215	FLAT WASHER, 1/2 X 5/16, ASTM F436
12	4	1202-1010	SPRING, EXT., 1.25ODX.156WIRE, AISI 302

PARTS LISTING

6210-H Actuator



5027-LS



ITEM	QTY.	PART NUMBER	6210-H DESCRIPTION
1	1	6210-0201	CYLINDER, 6210-H ACTUATOR
2	1	6210-0202	CYLINDER ENDCAP, 6210-H
3	1	6210-0103	PISTON, 6210-H
4	1	6230-0005	CLEVIS, 3/4 UNC X 0.50 DIA
5	1	7039-5921	BLEED SCREW, 1/8 NPT
6	6	1002-1012	SCREW, CAP, SKT HD, 1/4UNC X3/4, GR 18-8
7	1	6210-H-RK	SEAL KIT, 6210-H ACTUATOR

ITEM	QTY.	PART NUMBER	5027-LS DESCRIPTION
1	1	5027-0005	SHOE, 5027 CALIPER
2	1	5027-0007	LINING, 5/8" K5, 5027 BRAKE CALIPER
3	29	1033-1007	RIVET, 1/4 X 7/16 (10-7), BRASS

Note: Parts lists are applicable to standard models only.