

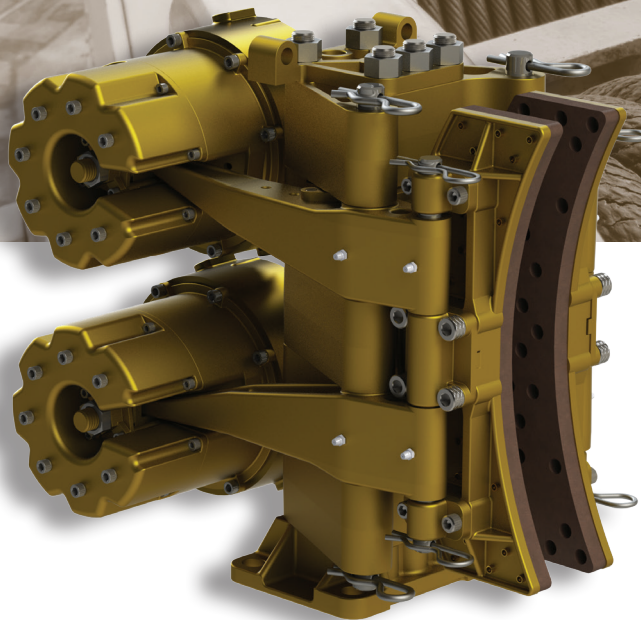
5027-SH | SPRING APPLIED / HYDRAULIC RELEASED CALIPER DISC BRAKE

KEY BENEFITS

Bronze & stainless steel construction

Rapid brake pad change out

Well matched to Kobelt's standard range of 2"x4" ventilated discs



Putting you in control.

Constructed entirely of bronze and stainless steel, Kobelt's spring applied disc brakes are built to last in the harshest, most corrosive conditions.

The brake features a shoe design which allows the brake pads to be easily and quickly changed while leaving the caliper in place.

Available with several options, these caliper disc brakes are well suited for parking or emergency braking duty on, hoists, winches and more.

SPECIFICATIONS

PART NO.	NORMAL FORCE ¹	PRESSURES	
		RELEASE	HOLD-OFF
5027-SH	16,510 lbs [73.5 kN]	840 psi [58 bar]	630 psi [43 bar]
5027-SH100	15,000 lbs [66.8 kN]	710 psi [49 bar]	550 psi [38 bar]
5027-SH80	13,460 lbs [59.9 kN]	620 psi [43 bar]	480 psi [33 bar]
5027-SH75	11,630 [51.8 kN]	540 psi [37 bar]	400 psi [28 bar]

Maximum Pressure: 2000 psi [138 bar]

Port Size: -5 ORB

Actuator Volume: 12.6 in³ [206 cc]

Temperature Range: -40°F...+131°F
-40°C...+55°C

Disc Thickness: 2 in [51 mm]

Max Running Clearance: .08 in [2.0 mm]

Minimum Disc Diameter: 28 in [711 mm]

Maximum Disc Diameter²: 75 in [1905 mm]

Total Pad Area: 106 in² [688 cm²]

Weight: 269 lbs [122 kg]

¹Torque:

$$T_B = 2F_N\mu \left(\frac{OD-5.40}{24} \right)$$

Where:

T_B = brake torque (ft-lbf)

F_N = normal force (lbf)

μ = coefficient of friction

= 0.38 (ferrous)

= 0.35 (nonferrous)

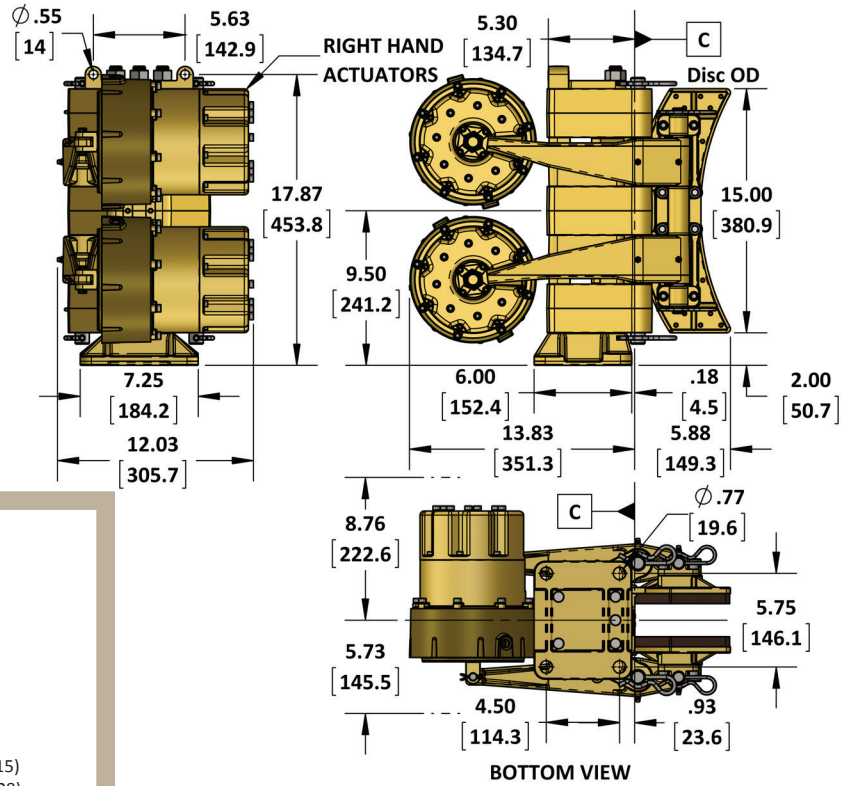
Friction values are theoretical and for reference only. They are based on properly bedded and burnished linings acting on a rotor at 20°C, manufactured to required specifications.

OD = brake disc diameter (in)

²Requires a minimum 5.12 in [130 mm] wide face

SPECIFICATIONS

FOOT MOUNTED VERSION

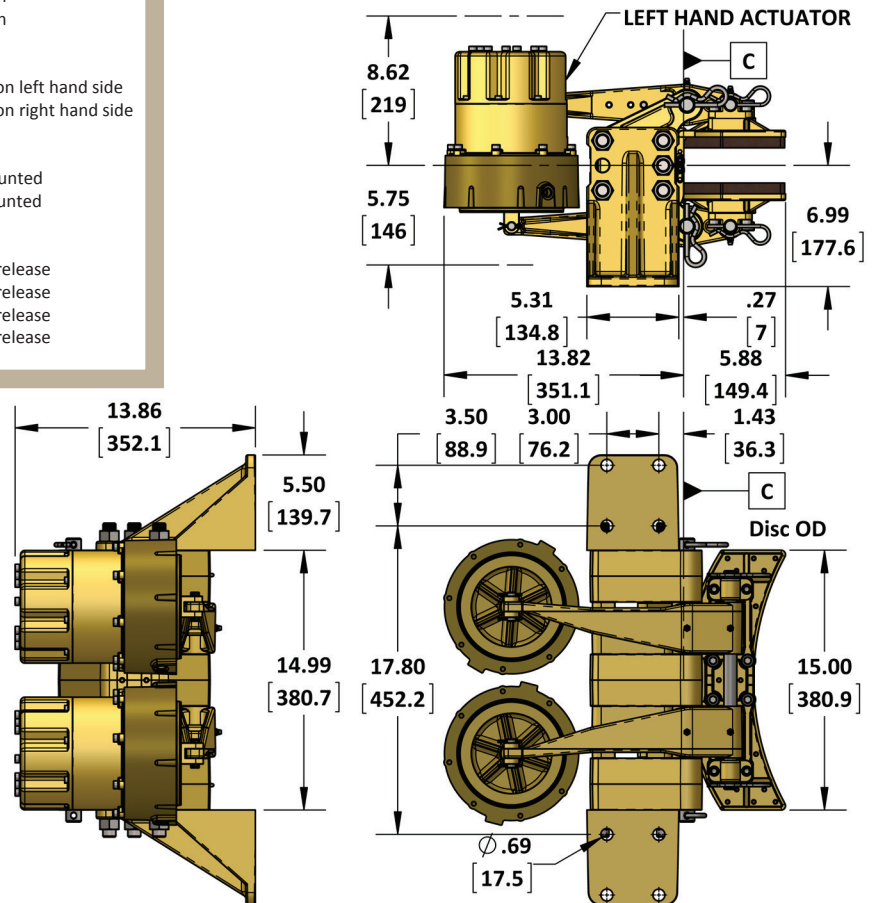


Brake Model Code Key

5027- [] - [] - [] - [] - []

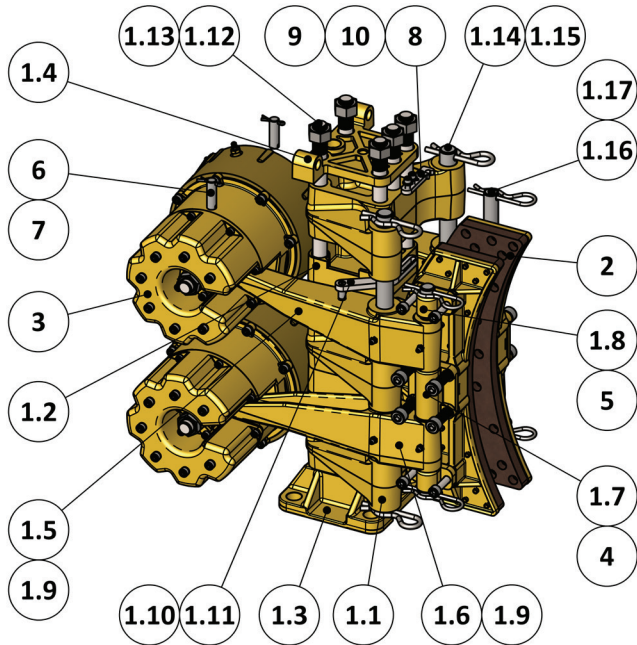
- Added options
 - LS = limit switch
- Friction material
 - (blank) = standard
 - N = non-sparking
 - C = low COF (.12-.15)
 - E = mid COF (.25-.28)
- Disc thickness
 - (blank) = 2.000 in
 - 175 = 1.750 in
 - 150 = 1.500 in
 - 125 = 1.250 in
 - 100 = 1.000 in
- Actuator handing
 - LH = springs on left hand side
 - RH = springs on right hand side
- Mounting code
 - (blank) = foot mounted
 - W = side mounted
- Actuator code
 - SH = 820 psi release
 - SH100 = 690 psi release
 - SH80 = 620 psi release
 - SH75 = 540 psi release

SIDE MOUNTED VERSION

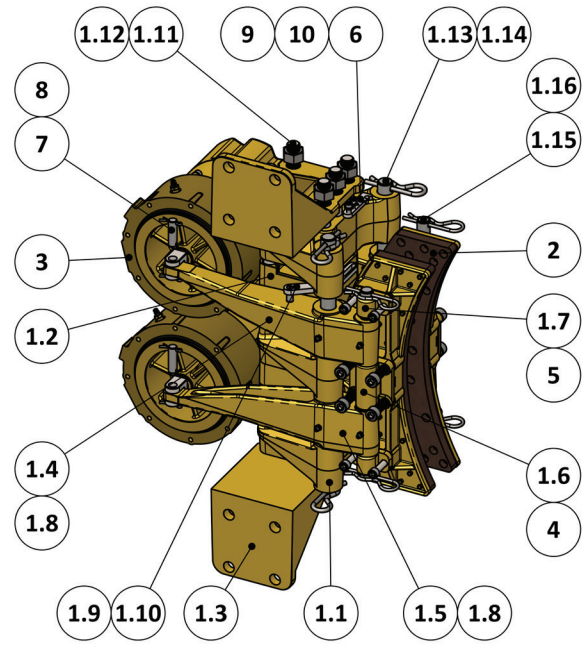


PARTS LISTING

5027-SH Caliper Brake



5027-SHW Caliper Brake

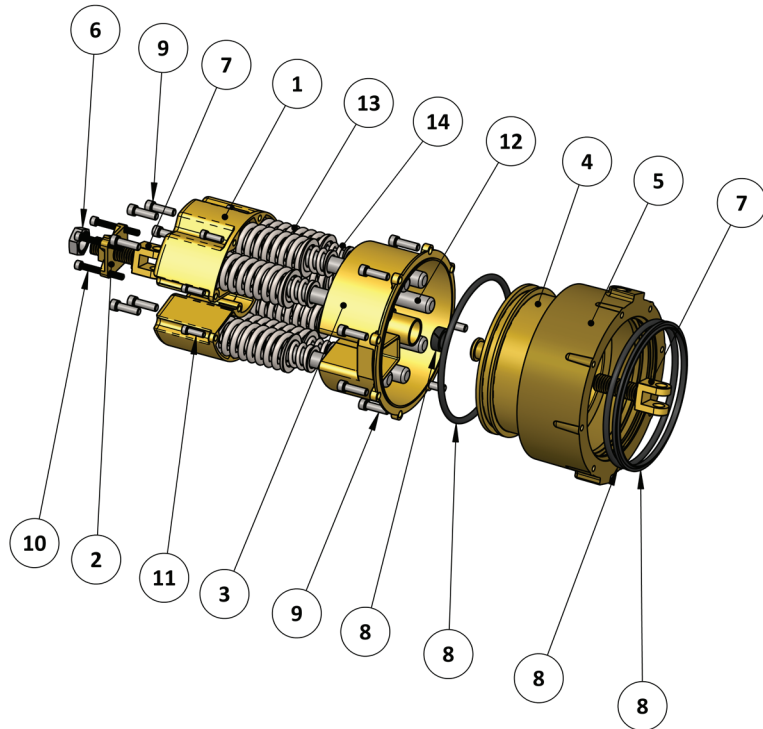


ITEM	QTY.	PART NUMBER	5027-SH DESCRIPTION
1	1	5027-SUB	SUB-ASSEMBLY, 5027 CALIPER
1.1	3	5027-0002	SADDLE, 5027 CALIPER
1.2	2	5024-0003	SPACER, 5024 CALIPER
1.3	1	5024-0001	FOOT, 5024 CALIPER
1.4	1	5027-0100	TOP SUPPORT, 5027 CALIPER
1.5	2	5027-0004-L	LEVER ARM, LEFT, 5026 CALIPER
1.6	2	5027-0004-R	LEVER, RIGHT, 5027
1.7	2	5026-0013	PIVOT BLOCK, CENTER, 5026 CALIPER
1.8	4	5026-0014	PIVOT BLOCK, OUTER, 5026 CALIPER
1.9	10	1501-0301	GREASE NIPPLE, 1/4-28
1.10	2	5024-0026	LINK PIN, 5024 - 5026 CALIPERS
1.11	2	5024-0011	BALANCING LINK NO. 1, 5024 CALIPER
1.12	5	5027-0023	TIE ROD, 5026 & 5027 CALIPER
1.13	5	1022-0117	NUT, HEX, 3/4-10 UNC, Gr 18-8
1.14	2	5027-0022	SADDLE PIN, 5027 CALIPER
1.15	4	1039-0470	PIN, HAIRPIN COTTER, 1/4 X 4-1/4, STEEL
1.16	2	5027-0021	SHOE PIN, 5027 CALIPER
1.17	4	1039-0352	HITCH PIN, 5/16 X4, STEEL
2	2	5027-LS	SHOE ASSEMBLY, 5/8" K5, 5027 CALIPER
3	2	6232-H115	ACTUATOR ASSEMBLY, SPRING/ HYDRAULIC
4	8	1002-1420	SCREW, SKT HD, 1/2-13 UNC X 1-1/4, SS
5	8	1002-1220	SCREW, SKT HD, 3/8-16 UNC X 1-1/4, SS
6	4	6230-0010	CLEVIS PIN, 1/2" DIA
7	8	1026-0516	COTTER PIN, 1/8" X 1", SS
8	2	5024-0012	BALANCE LINK NO. 2, 5024 CALIPER
9	4	1023-0216	FLAT WASHER, 1/4, TYPE B, NARROW
10	4	1002-1010	SCREW, SKT HD, 1/4 UNC X 5/8 LG, 18-8 SS

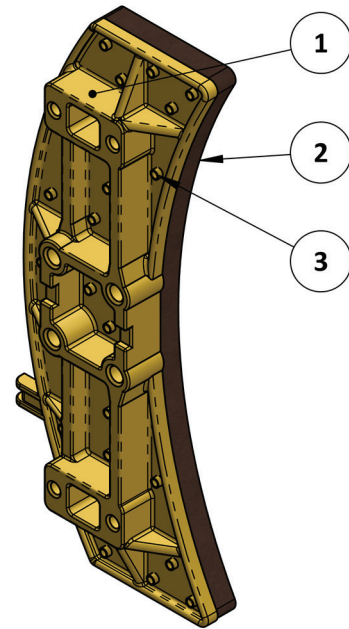
ITEM	QTY.	PART NUMBER	5027-SHW DESCRIPTION
1	1	5027-SUB-SW	SUB-ASSEMBLY, 5027 CALIPER, SIDE MOUNT
1.1	3	5027-0002	SADDLE, 5027 CALIPER
1.2	2	5024-0003	SPACER, 5024 CALIPER
1.3	2	5027-0200	SIDE MOUNT FOOT, 5027 CALIPER
1.4	2	5027-0004-L	LEVER ARM, LEFT, 5026 CALIPER
1.5	2	5027-0004-R	LEVER, RIGHT, 5027
1.6	2	5026-0013	PIVOT BLOCK, CENTER, 5026 CALIPER
1.7	4	5026-0014	PIVOT BLOCK, OUTER, 5026 CALIPER
1.8	8	1501-0301	GREASE NIPPLE, 1/4-28
1.9	2	5024-0026	LINK PIN, 5024 - 5026 CALIPERS
1.10	2	5024-0011	BALANCING LINK NO. 1, 5024 CALIPER
1.11	5	5027-0023	TIE ROD, 5026 & 5027 CALIPER
1.12	10	1022-0117	NUT, HEX, 3/4-10 UNC, Gr 18-8
1.13	2	5027-0022	SADDLE PIN, 5027 CALIPER
1.14	3	1039-0470	PIN, HAIRPIN COTTER, 1/4 X 4-1/4, STEEL
1.15	2	5027-0021	SHOE PIN, 5027 CALIPER
1.16	4	1039-0352	HITCH PIN, 5/16 X4, STEEL
2	2	5027-LS	SHOE ASSEMBLY, 5/8" K5, 5027 CALIPER
3	2	6232-H115	ACTUATOR ASSEMBLY, SPRING/ HYDRAULIC
4	8	1002-1420	SCREW, SKT HD, 1/2-13 UNC X 1-1/4, SS
5	7	1002-1220	SCREW, SKT HD, 3/8-16 UNC X 1-1/4, SS
6	2	5024-0012	BALANCE LINK NO. 2, 5024 CALIPER
7	4	6230-0010	CLEVIS PIN, 1/2" DIA
8	8	1026-0516	COTTER PIN, 1/8" X 1", SS
9	4	1023-0216	FLAT WASHER, 1/4, TYPE B, NARROW
10	4	1002-1010	SCREW, SKT HD, 1/4 UNC X 5/8 LG, 18-8 SS

PARTS LISTING

6232-H115 Actuator



5027-LS



ITEM	QTY.	PART NUMBER	6232-H115 DESCRIPTION
1	1	6230-0001	SPRING HOUSING, COVER
2	1	6230-0004	CLEVIS BRACKET, 6230 & 6232 ACTUATOR
3	1	6230-0101	SPRING HOUSING, CENTRE
4	1	6232-0202	PISTON, 6" ROD, 6232 ACTUATOR
5	1	6232-0201	CYLINDER, 6" ROD, 6232 ACTUATOR
6	1	1022-0217	NUT, JAM, 3/4-10 UNC, SS
7	2	6230-0005	CLEVIS, 3/4 UNC X 0.50 DIA
8	1	6232-HD-RK	SEAL KIT, 6232-HD & 6232-H115 ACTUATORS
9	15	1002-1116	SCREW, SCKT HD, 5/16-18 UNC X 1, SS
10	4	1002-1032	SCREW, SCKT HD, 1/4-20 UNC X 2, SS
11	8	1002-1012	SCREW, SCKT HD, 1/4-20 UNC X 3/4, SS
12	7	6230-0012	SPRING GUIDE - 3/4"
13	7	1201-0158	SPRING, COMPRESSION, 1.68 OD X .250 WIRE X 9.5L
14	7	1201-0159	SPRING, COMPRESSION, 1.15 OD X .177 WIRE X 9.5L

ITEM	QTY.	PART NUMBER	5027-LS DESCRIPTION
1	1	5027-0005	SHOE, 5027 CALIPER
2	1	5027-0007	LINING, 5/8" K5, 5027 BRAKE CALIPER
3	29	1033-1007	RIVET, 1/4 X 7/16 (10-7), BRASS

Note: Parts lists are applicable to standard models only.