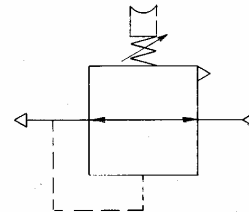




MODEL 3217 COMPENSATING SELF RELIEVING AIR PRESSURE REGULATING VALVE

Weight: 1.7 lb. (0.8 kg)
Materials: Die cast silicon bronze and stainless steel hardware.
Maximum supply pressure: 250 psi (17.2 bar)
Operating temperature range: -40°C to +90°C
Spool stem travel: 0.25" (8 mm)
Hysteresis: 2 psi
Sub-plate port: 1/8"

SCHEMATIC SYMBOL



DESCRIPTION

The 3217 valve is a mechanically actuated, sub-plate mounted regulating valve. It is both compensating and self-relieving with an adjustable spring for setting the valve working pressure range. Movement of the spool stem into the valve produces a proportional output pressure, within the working range of the valve.

APPLICATIONS:

- Used mainly in Kobelt pressure control heads and dual function control heads for accurate control of throttle actuators, positioning actuators and air applied brakes
- Used anywhere where an accurate air pressure is required

ORDERING INFORMATION:

The standard 3217 is supplied in the following Model Designation:

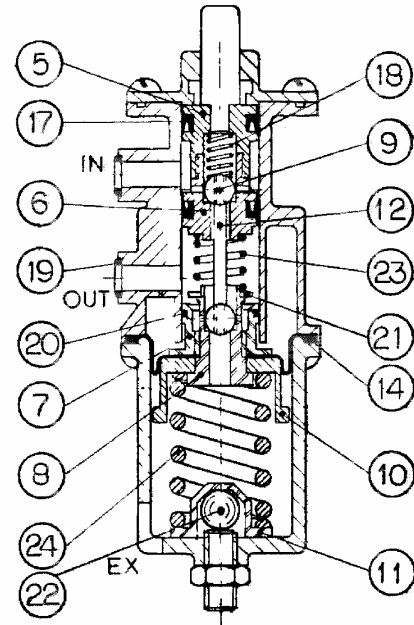
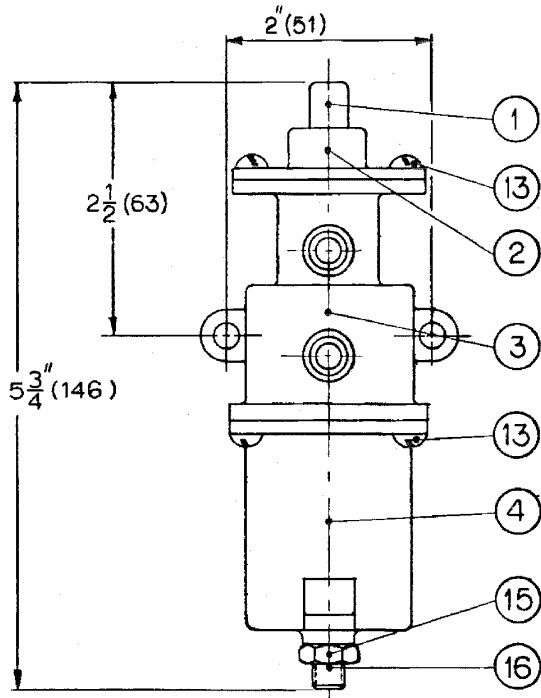
N – 0-60 psi	T – 10-60 psi
P – 0-80 psi	U – 10-80 psi
R – 0-100 psi	W – 10-100 psi
S – 0-120 psi	X – 10-120 psi

To order state model number 3217 followed by the desired Model Designation letter code:

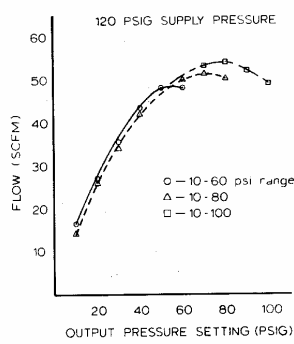
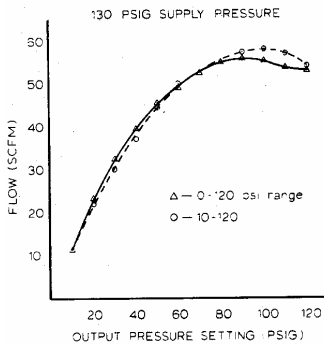
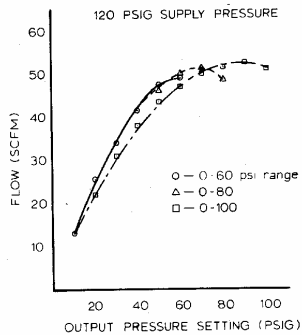
Example: Standard 3217 with 0-60 psi pressure range => 3217-N

Note other pressure ranges are available upon request.

DIMENSIONS AND PARTS LIST MODEL 3217



OUTPUT PRESSURE SETTING VS. FLOW



Item	Qty	P/N	Description
1	1	3217-0001	Spool stem
2	1	3217-0017	End cap
2	1	3217-0018	Valve body (upper)
4	1	3217-0004	Valve body (lower)
5	1	3217-0005	Spool - upper
6	1	3217-0006	Spool - lower
7	1	3217-0007	Piston nut
8	1	3217-0008	Piston keeper
9	2	3217-0009	Ball
10	1	3217-0010	Piston
11	1	3217-0011	Spring retainer
12	1	3217-0012	Ball stem
13	6	1010-0806	Round head screw
14	1	1104-2001	Diaphragm
15	1	1022-0211	Jam nut
16	1	1016-1116	Set screw
17	2	1102-0005	"T" cup
18	1	1201-0004	Spring
19	2	1101-0010	"O" ring
20	1	1101-0016	"O" ring
21	1	1023-0242	Washer
22	1	1301-0010	Ball
23	1	1201-0005	Spring
24*	1	1201-0007	Spring 0-60 psi
24*	1	1201-0006	Spring 80 psi
24*	1	1201-0008	Spring 100 psi
24*	1	1201-0015	Spring 120 psi

* optional