

## MODEL 3804 MECHANICALLY ACTUATED FOUR-WAY BLOCK MOUNT VALVE

### DESCRIPTION

The 3804 is a mechanically actuated, sub-plate mounted four way directional control valve. It is a poppet type valve consisting of two normally closed three-way valves with a common supply port. Movement of the desired spool stem into the valve opens the chosen three-way valve and directs the air supply to the chosen directional output.

Weight: 1.1 lb. (0.5 kg)

Materials: Die cast silicon bronze and stainless steel hardware.

Maximum Supply Pressure: 250 psi. (17.2 bar)

Operating Temperature Range: -40°C to +90°C

Spool Stem Travel: 0.25" (6 mm)

Sub-plate Port: 1/4" N.P.T.

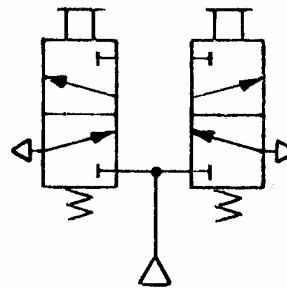
### APPLICATIONS

- Used mainly in Kobelt control heads 2575 and 3609 and air piloted 3403 valve
- Used wherever a mechanically actuated four-way directional control valve is required

### ORDERING INFORMATION:

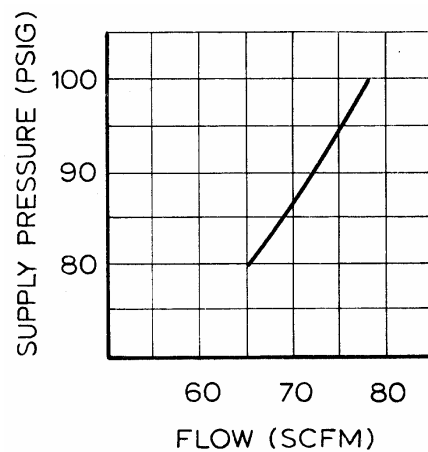
To order, state Model number 3804

### SCHEMATIC SYMBOL



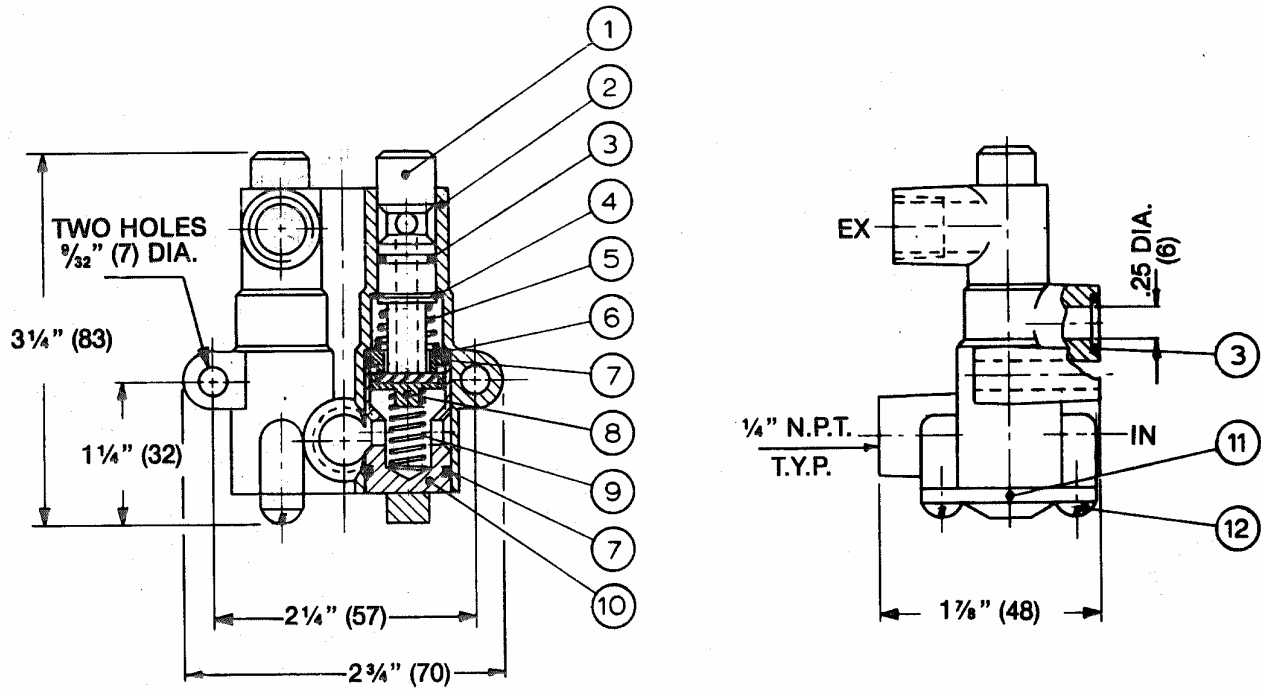
3804

### SUPPLY PRESSURE VS FLOW



# DIMENSIONS AND PARTS LIST

## MODEL 3804



All dimensions in inches (mm)

Item	Quantity	Part Number	Description
1	2	3804-0001	Spool
2	1	3804-0002	Body
3	5	1101-0012	"O" Ring
4	2	1029-2050	Snap Ring
5	2	1201-0016	Spring
6	2	3804-0003	Seat
7	4	1101-0016	"O" Ring
8	2	3804-0004	Poppet
9	2	1201-0009	Spring
10	2	3804-0005	Retainer
11	2	3804-0006	End Cap
12	4	1010-0808	Screw