

# CSU

## CLASSIC MIXED-FLOW HIGH-EFFICIENCY WATERJET



**MAX KW**  
**MAX BHP**  
1,500 kw–24,000 kw  
2,011 BHP–28,161 BHP

**MATERIALS**  
Body Duplex Stainless Steel  
Pump Unit Duplex Stainless Steel  
Intake Metal or Composite

**FOR VESSELS**  
26–200m



**MJP**  
MARINE JET POWER

[www.marinejetpower.com](http://www.marinejetpower.com)



# YOUR SCHEDULE IS TOO TIGHT FOR A BREAKDOWN

When you're running all day, every day across a harrowing channel carrying precious cargo, the Compact Steering Unit (CSU) is your engine that could. Offering low fuel consumption, long range, and high speeds, you'll be on time, every time. The CSU's precision engineered duplex stainless-steel structure is 2x stronger than standard stainless and is more corrosion resistant keeping you on the water longer. The CSU's steering unit provides precise direction control while the duplex stainless steel construction provides superior operational functionality and efficiency. Built to keep you and your passengers where they need to be quickly and comfortably. All aboard.

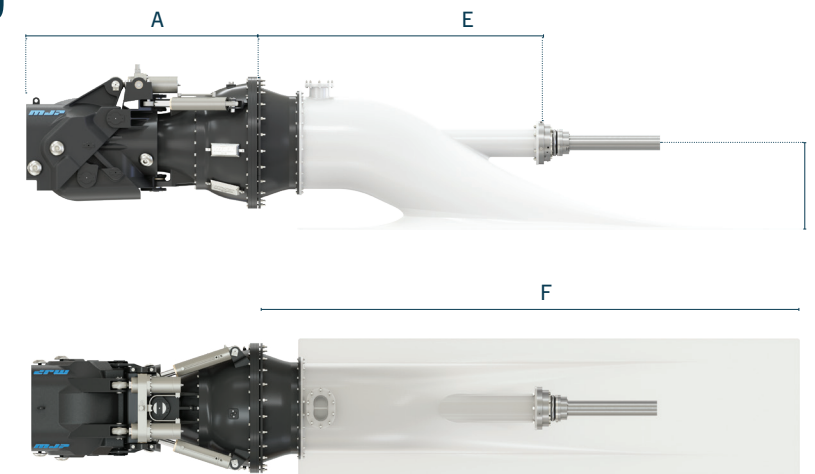
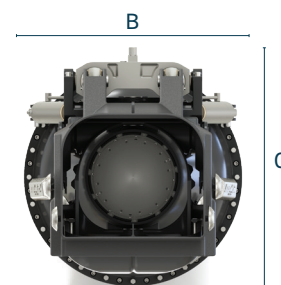


**RED JET 4**  
39m Catamaran  
Designed and built for the Red Funnel Group UK

# SPECIFICATIONS

## FOR VESSELS 26M-200M

- Large Commercial Crafts
- Governmental Applications
- Passenger Ferries
- High Speed Yachts



| MODEL           | STEERABLE | BOOSTER | INTAKE  | KW       | A    | B    | C    | D*   | E*   | F*    |
|-----------------|-----------|---------|---------|----------|------|------|------|------|------|-------|
| <b>550 CSU</b>  | 1100 kg   | 650 kg  | 696 L   | 2500 kW  | 1562 | 866  | 580  | 550  | 2625 | 3790  |
| <b>650 CSU</b>  | 1600 kg   | 1050 kg | 1149 L  | 3000 kW  | 1752 | 1020 | 645  | 650  | 3000 | 4510  |
| <b>750 CSU</b>  | 2300 kg   | 1450 kg | 1764 L  | 4000 kW  | 1971 | 1133 | 673  | 750  | 3250 | 5180  |
| <b>850 CSU</b>  | 2850 kg   | 2200 kg | 2754 L  | 6000 kW  | 2405 | 1370 | 757  | 850  | 4000 | 5890  |
| <b>950 CSU</b>  | 4350 kg   | 2800 kg | 3817 L  | 8000 kW  | 2512 | 1480 | 817  | 950  | 4500 | 6590  |
| <b>1050 CSU</b> | 5900 kg   | 3700 kg | 5269 L  | 12000 kW | 2855 | 1600 | 905  | 1050 | 5125 | 6500  |
| <b>1150 CSU</b> | 7350 kg   | 4700 kg | 6872 L  | 15000 kW | 3100 | 1750 | 1000 | 1150 | 5500 | 7630  |
| <b>1350 CSU</b> | 12000 kg  | 8300 kg | 10290 L | 18000 kW | 3578 | 2019 | 1151 | 1350 | 6500 | 8000  |
| <b>1550 CSU</b> | 17700 kg  | 9700 kg | 15575 L | 21000 kW | 4075 | 2308 | 1312 | 1550 | 7000 | 9700  |
| <b>1750 CSU</b> | 24900 KG  | 16700kg | 16400 L | 24000 kW | 4597 | 2598 | 1482 | 1750 | 5420 | 10000 |

Specifications are in millimeters (mm)

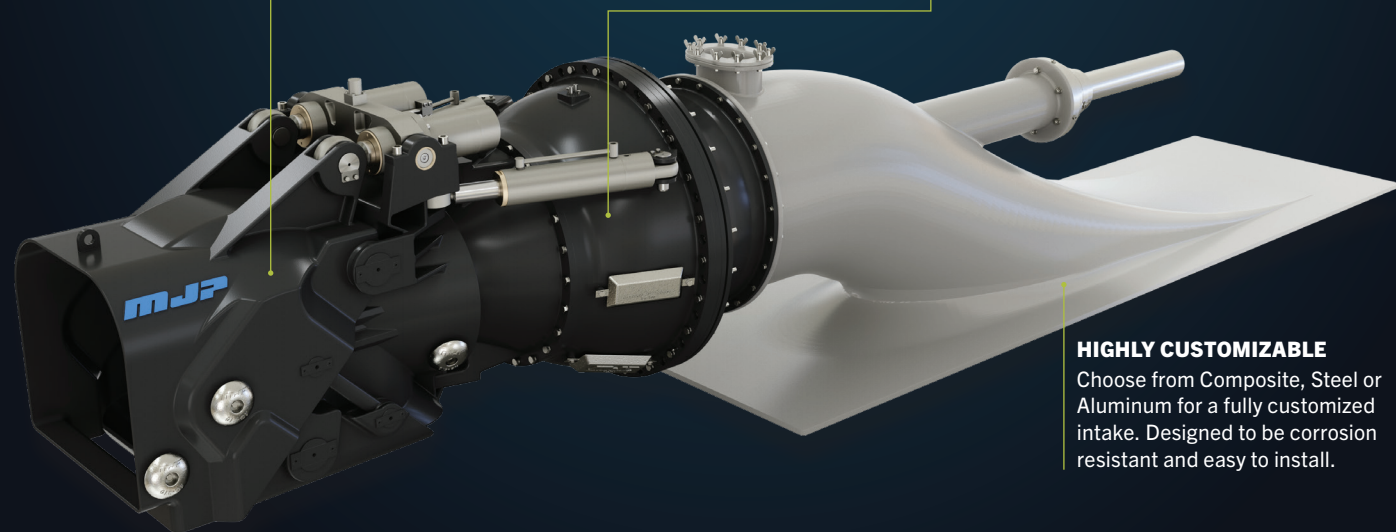
## CSU

### DESIGNED FOR NARROW SPACES

The CSU bucket design is optimized for installations where split duct reversing buckets will not fit. The classic bucket design allows for closer center to center installations.

### MIXED-FLOW HIGH-EFFICIENCY PUMP DESIGN

Excellent maneuverability  
Superb acceleration  
High top speed



### HIGHLY CUSTOMIZABLE

Choose from Composite, Steel or Aluminum for a fully customized intake. Designed to be corrosion resistant and easy to install.



**TAIWAN COAST GUARD 500 TON**  
MJP quad 850 CSU



**KOREAN COAST GUARD 500 TON**  
Double Drive MJP 950 CSU + MJP 750 Double Boosters



### **ONUK MRTP 33**

Fast Patrol / Attack Craft  
LOA: 35.6 M  
Beam: 6.70 M  
Max Speed : up to 65 knots  
Waterjets: Triple Drive MJP 750 CSU

### **ISREAL SHIPYARDS SHALDAG MK V**

LOA: 32.65 M  
Beam 6.20 M  
Max Speed: 40+ knots  
Waterjets: Double Drive 650 CSU



**MJP IS THE WORLD LEADER IN WATERJET PROPULSION, BUILT AS  
A FORCE TO TRUST.  
SO YOUR ONLY LIMITATION IS HOW HARD YOU HIT THE THROTTLE.**

**MARINE JET POWER**  
Hanselligatan 6  
754 50 Uppsala  
SWEDEN  
+46 (0) 10 165 10 00

**SOUTH KOREA**  
Gamcheonhang-ro 165-4, Saha-gu  
49454 Busan  
KOREA  
+82 (51) 746 6428

**AMERICAS**  
6740 Commerce Ct. Drive  
Blacklick, OH 43004  
USA  
+1 614-759-9000