

# ULTRAJET

HIGH THRUST AXIAL FLOW ALUMINUM WATERJET



**MAX KW**  
**MAX BHP**  
261 kW–746 kW  
350 BHP–1000 BHP

**MATERIALS**  
Body Aluminum  
Pump Unit Aluminum  
Intake Aluminum

**FOR VESSELS**  
8–17m







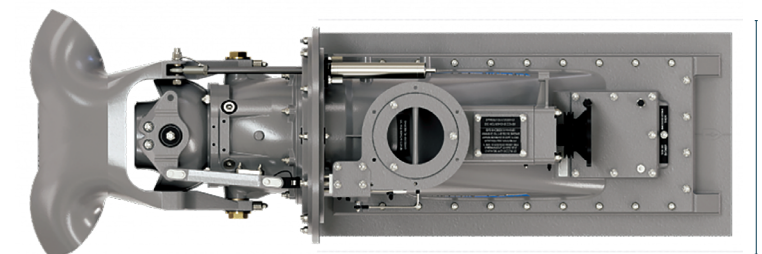
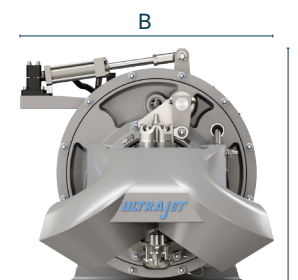
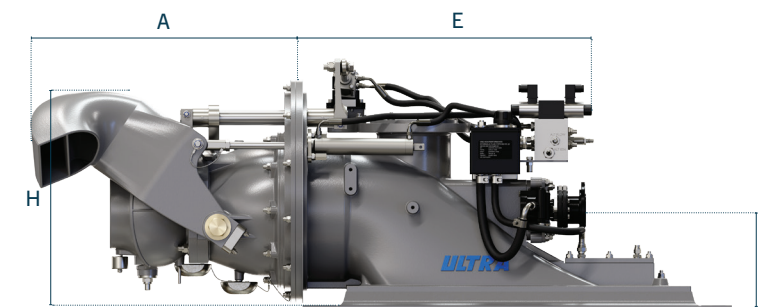
# BIG PAYLOAD BIG POWER

When you work on the water there's no room for failure. Fear not. Go ahead, push your boat to the limit. Our UltraJet is built with you in mind. Where reliability is paramount, efficiency at high thrust is expected, and performance with an oversized load is sublime. So push, pull, transfer or haul that payload with confidence and keep your focus on completing your mission. We make your business our business. Trust UltraJet to get it done.

# SPECIFICATIONS

## FOR VESSELS 8M-17M

- Commercial Fishing Vessels
- Military & Governmental Craft
- Commercial Work Boats
- Crew Transfer Vessels



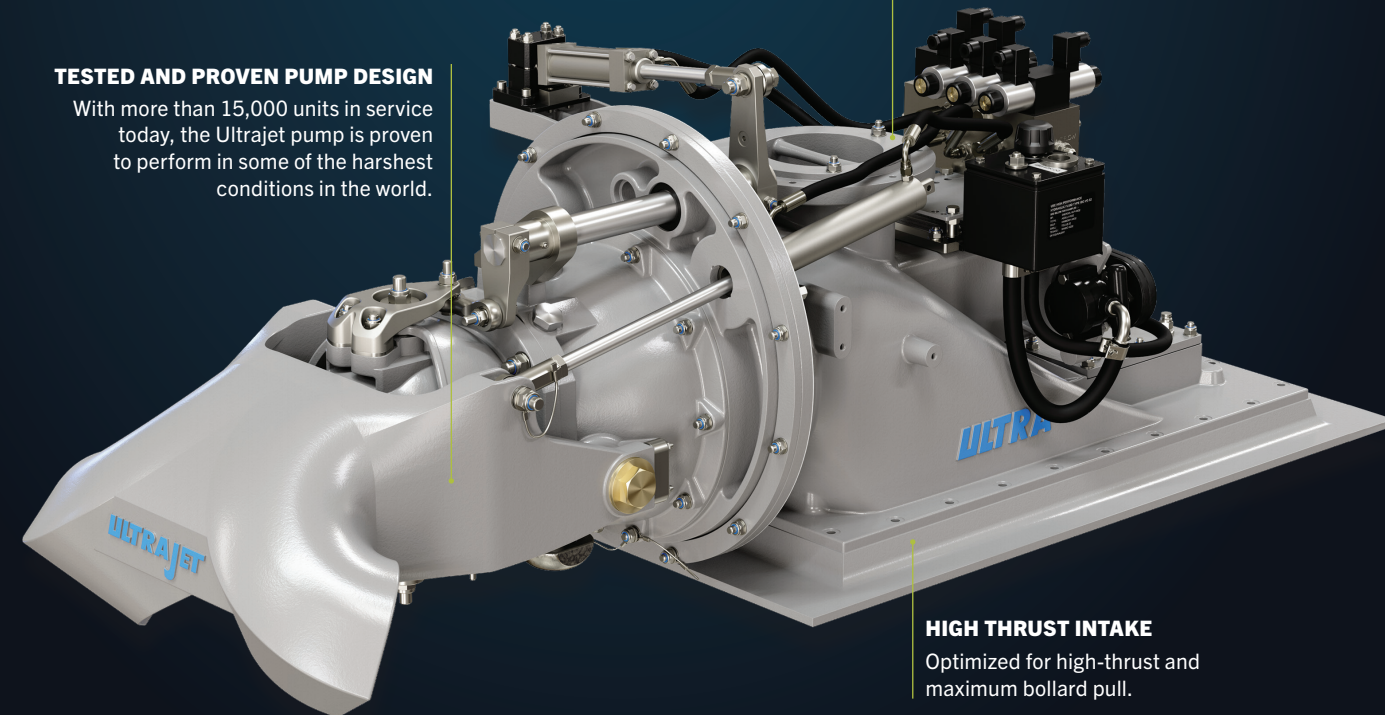
MODEL	STEERABLE	BOOSTER	INTAKE	KW	A	B	C	D*	E*	F*	G	H
305	214 kg	165 kg	54 L	336	691	777	612	265	750	1140	560	624
305 HT	227 kg	171 kg	66 L	298	697	777	611	265	749	1140	600	622
340	263 kg	209 kg	77 L	448	746	777	670	300	848	1308	598	656
340 HT	294 kg	205 kg	83 L	410	823	804	672	290	817	1140	600	804
377	398 kg	303 kg	106 L	597	806	804	765	330	1142	1443	636	830
410	486 kg	392 kg	139 L	746	809	900	795	360	1240	1586	674	868

Specifications are in millimeters (mm)

# ULTRAJET

## TESTED AND PROVEN PUMP DESIGN

With more than 15,000 units in service today, the UltraJet pump is proven to perform in some of the harshest conditions in the world.



## ALL-IN-ONE WATERJET

A complete jet assembly with a variety of on-jet and remote-mounted hydraulic control systems allows for quick and easy maintenance and installation.

## HIGH THRUST INTAKE

Optimized for high-thrust and maximum bollard pull.



## SMALL UNIT RIVERINE CRAFT (SURC)

was originally built in 2004 by SAFE Boats International. Recently overhauled with MJP UltraJet 305 HT waterjets, the refurbished SURC is capable of speeds in excess of 40 knots. The upgraded propulsion package will allow the vessel a higher top speed, increased bollard pull, and improved maneuverability.



**LONG RANGE INTERCEPTOR (LRI-II)**

built by Metal Craft Marine for the United States Coast Guard is an 11-meter interceptor vessel used in drug interdiction and USA homeland security applications. Featuring MJP 305 UltraJet and capable of 45 knots top speed.

**DUTCH NAVY LANDING CRAFT**

Built by Visser Den Helder a member of the Damen Shipyards group for the Royal Dutch Navy. This 16m aluminum landing craft is powered by Volvo Penta D9-575 and dual MJP 410 UltraJets, capable of 32 knots top speed.



**MJP IS THE WORLD LEADER IN WATERJET PROPULSION, BUILT AS  
A FORCE TO TRUST.  
SO YOUR ONLY LIMITATION IS HOW HARD YOU HIT THE THROTTLE.**

**MARINE JET POWER**  
Hansellsgatan 6  
754 50 Uppsala  
SWEDEN  
+46 (0) 10 165 10 00

**SOUTH KOREA**  
Gamcheonhang-ro 165-4, Saha-gu  
49454 Busan  
KOREA  
+82 (51) 746 6428

**AMERICAS**  
6740 Commerce Ct. Drive  
Blacklick, OH 43004  
USA  
+1 614-759-9000